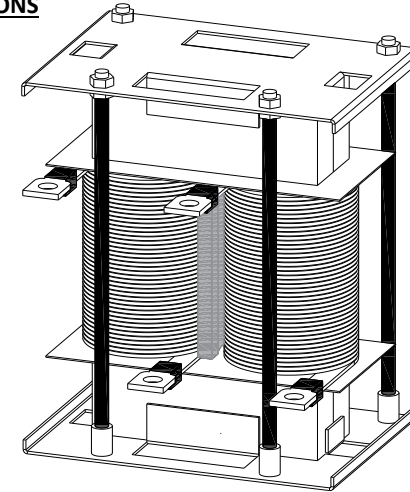
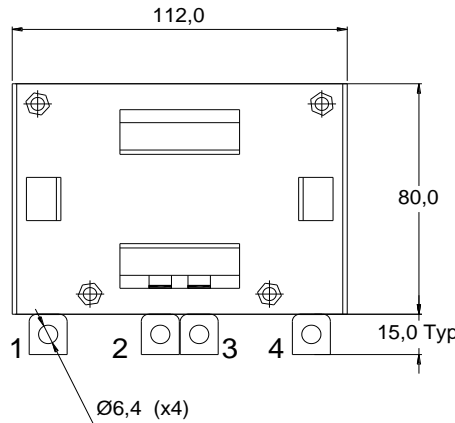


Rev	Description	By	Date
1	Preliminary	SO	13-Jan-23

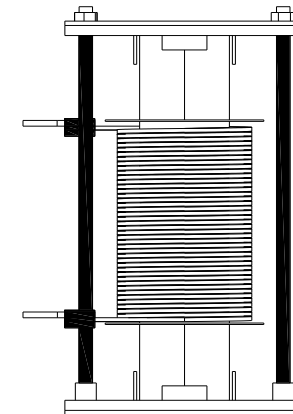
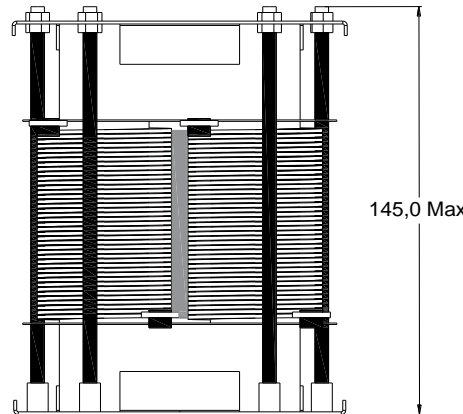
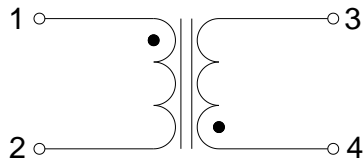
ELECTRICAL SPECIFICATIONS @ 25°C

L(per wdg): 450μH±10% @ 10kHz, 1Vrms
 ΔL≤10% @ 31Adc
 DCR(per wdg): 11mΩ Max
 Turns Ratio: 1:1±2%
 (1-2):(4-3)
 Polarity: 1 and 4 are in phase
 Hipot: 3kVac, 1mA Max, 10s (wdgs to core)
 Hipot: 3kVac, 1mA Max, 10s (wdg to wdg)
 Operating Temp: -40°C to 125°C
 Storage Temp: -40°C to 125°C
 RoHS Compliant: Yes

DIMENSIONS



SCHEMATIC




Dimensions: mm

MARKING

MPS
 HWI30P2-031A-451B_Rev#
 Date Code

Notice of Proprietary Property
 These drawings and specifications are the property of MPS and shall not be reproduced, copied or used as the basis of manufacture of sale of apparatus without express written authorization

Dimensions Unless otherwise specified .XX ± .010" [0,254mm] .XXX ± .005" [0,13mm]	DRAWN BY: CHECKED BY:	SO SO	13-Jan-23 13-Jan-23	SIZE A
---	--------------------------	----------	------------------------	------------------

 MPS INDUSTRIES, INC. www.mpsind.com Tel: (310) 325-1043 Fax: (310) 325-1044		Description	
		2x450uH Coupled Inductor	
Part Number		REV	
HWI30P2-031A-451B		1	
WEIGHT: XX gms		SHEET: 1 OF 1	