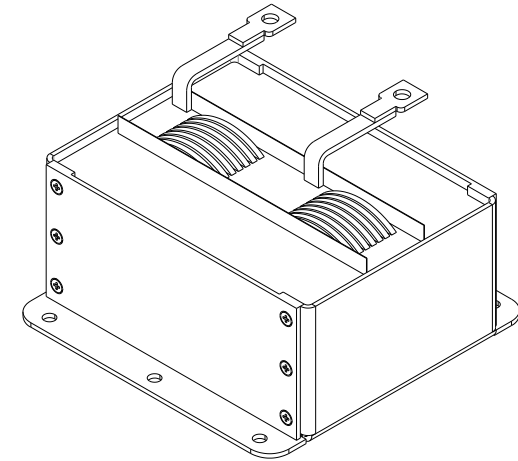
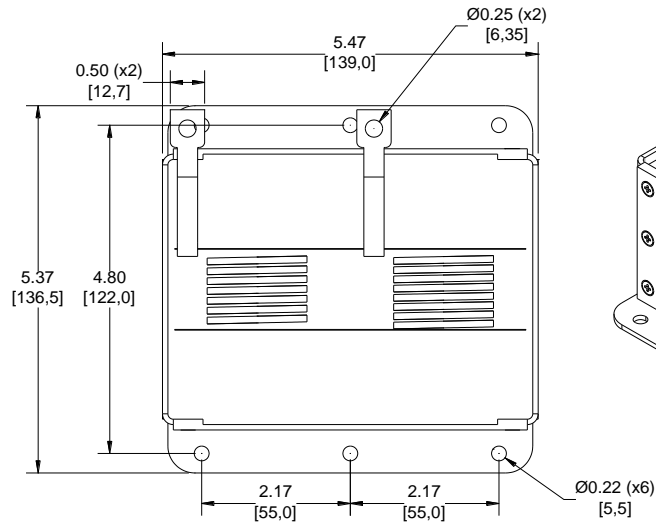


Rev	Description	By	Date
A	Released for production	AG	7-Oct-20

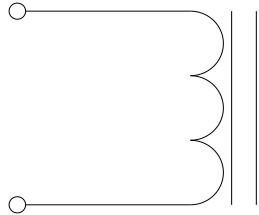
### ELECTRICAL SPECIFICATIONS @ 25°C

L: 310 $\mu$ H $\pm$ 10% @ 10kHz, 1Vrms  
 Isat:  $\Delta$ L $\leq$ 30% @ 75Adc  
 DCR: 9m $\Omega$  Max  
 Irms:  $\Delta$ T $\leq$ 40°C @ 61A  
 Hipot: 2kVrms, 1mA Max, 10s (wdg to case)  
 Operating Temp: -40°C to +150°C  
 RoHS Compliant: Yes

### DIMENSIONS

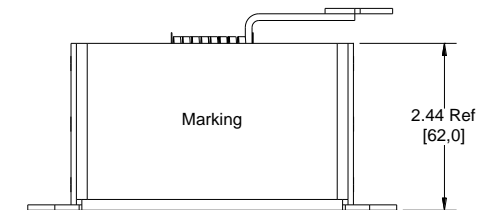
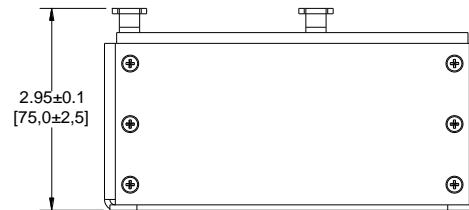


### SCHEMATIC



### MARKING

MPS  
 HWI42P1-061A-311P\_REV#  
 Date Code



Dimensions: inch/mm

#### Notice of Proprietary Property

These drawings and specifications are the property of MPS and shall not be, reproduced, copied or used as the basis of manufacture of sale of apparatus without express written authorization



MPS INDUSTRIES, INC.

www.mpsind.com

Tel: (310) 325-1043 Fax: (310) 325-1044

Description

**Power Inductor**

Part Number

**HWI42P1-061A-311P**

REV

**A**

Dimensions

Unless otherwise specified  
 .XX  $\pm$  .010" [0,254mm]  
 .XXX  $\pm$  .005 [0,13mm]

DRAWN BY:

CHECKED BY:

AG

AY

7-Oct-20

8-Oct-20

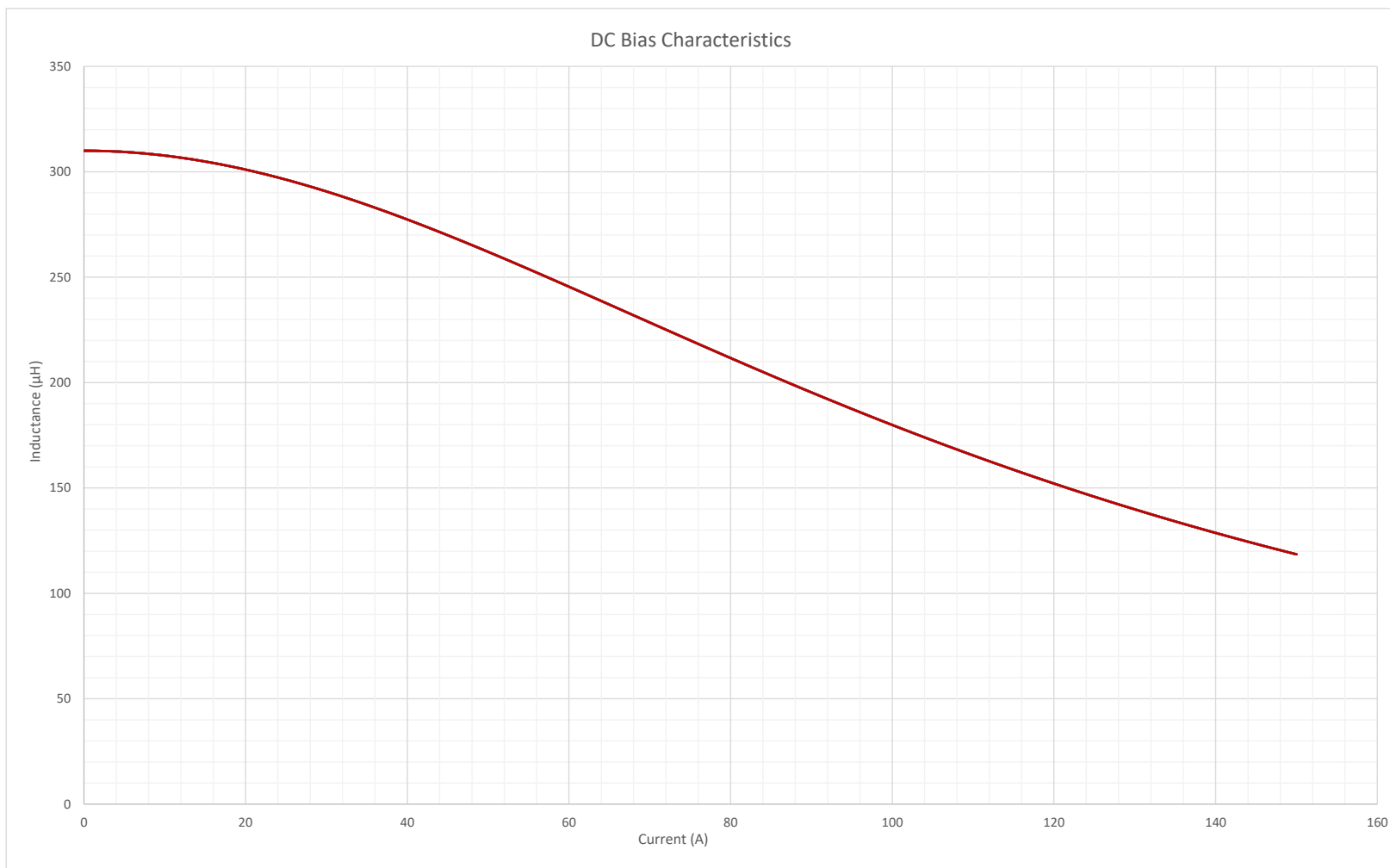
SIZE

**A**

WEIGHT: XX gms

SHEET: 1 OF 2

Rev	Description	By	Date
A	Released for production	AG	7-Oct-20



**Notice of Proprietary Property**  
 These drawings and specifications are the property of MPS and shall not be, reproduced, copied or used as the basis of manufacture or sale of apparatus without express written authorization



**MPS INDUSTRIES, INC.**  
 www.mpsind.com  
 Tel: (310) 325-1043 Fax: (310) 325-1044

Description		<b>Power Inductor</b>	
Part Number	<b>HWI42P1-061A-311P</b>		REV
			<b>A</b>
WEIGHT: XX gms		SHEET: 2 OF 2	

<b>Dimensions</b> Unless otherwise specified .XX ± .010" [0,254mm] .XXX ± .005 [0,13mm]	DRAWN BY: CHECKED BY:	AG AY	7-Oct-20 8-Oct-20
--	--------------------------	----------	----------------------