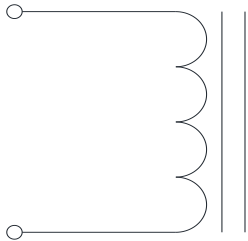


Rev	Description	By	Date
C	Changed wire size	AG	9-May-19
D	Corrected pin dimension and DC bias graph	AG	21-Sep-20

ELECTRICAL SPECIFICATIONS @ 25°C

L: 55μH±15% @ 10kHz, 1Vrms
 Isat: ΔL ≤ 10% @ 25A
 ΔL ≤ 30% @ 48A
 Irms: ΔT ≤ 20°C @ 26A
 ΔT ≤ 40°C @ 40 A
 DCR: 4.5mΩ Max
 Hipot: 500Vdc, 1mA Max, 5s, wdg to core
 Insulation Class: Class H 180°C
 RoHS Compliant: Yes

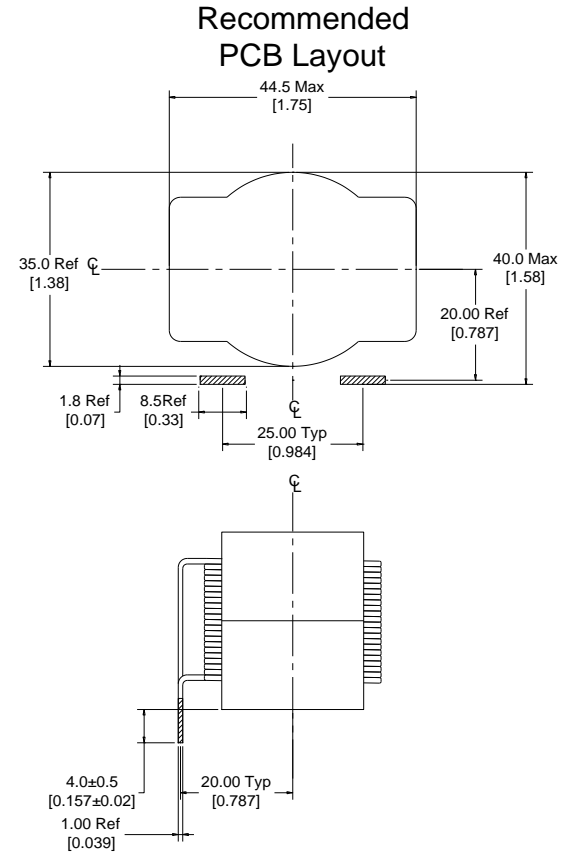
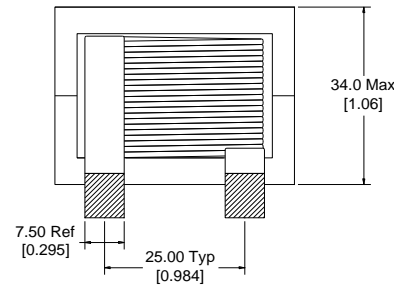
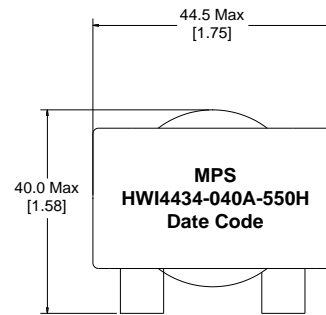
SCHEMATIC



MARKING

MPS
 HWI4434-040A-550H_REV#
 Date Code

DIMENSIONS



Dimensions: mm/[inch]

Notice of Proprietary Property

These drawings and specifications are the property of MPS and shall not be, reproduced, copied or used as the basis of manufacture of sale of apparatus without express written authorization



MPS INDUSTRIES, INC.

www.mpsind.com

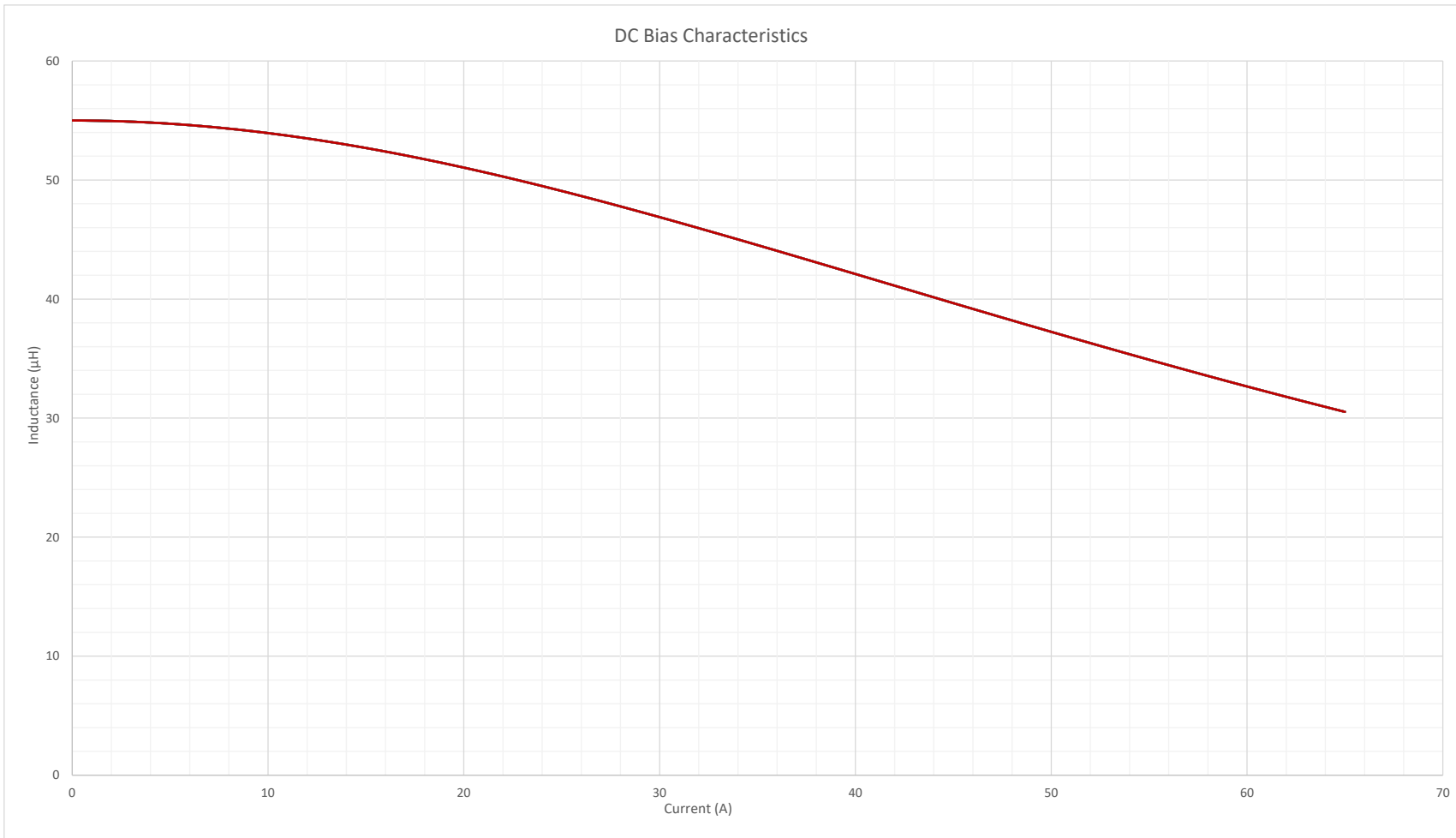
Tel: (310) 325-1043 Fax: (310) 325-1044

Description

Helical Wound Inductor

Dimensions	DRAWN BY:	MIG	17-Mar-16	SIZE	Part Number	REV
Unless otherwise specified .XX ± 0.254mm [.010"] .XXX ± 0.13mm [.005"]	CHECKED BY:	KC	18-Mar-16	A	HWI4434-040A-550H	D
					WEIGHT: 250 gms	SHEET: 1 OF 2

Rev	Description	By	Date
C	Changed wire size	AG	9-May-19
D	Corrected pin dimension and DC bias graph	AG	21-Sep-20



Notice of Proprietary Property

These drawings and specifications are the property of MPS and shall not be reproduced, copied or used as the basis of manufacture of sale of apparatus without express written authorization



MPS INDUSTRIES, INC.

www.mpsind.com

Tel: (310) 325-1043 Fax: (310) 325-1044

Description

Helical Wound Inductor

Dimensions
Unless otherwise specified
.XX ± 0.254mm [.010"]
.XXX ± 0.13mm [.005"]

DRAWN BY:
CHECKED BY:

MIG
KC

17-Mar-16
18-Mar-16

SIZE
A

Part Number

HWI4434-040A-550H

REV

D

SCALE: X:X

WEIGHT: 250 gms

SHEET: 2 OF 2