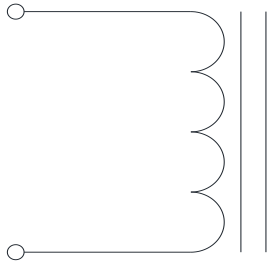


Rev	Description	By	Date
B	Released for Production	MIG	17-Mar-16
C	Corrected pin dimension and DC bias graph	AG	21-Sep-20

### ELECTRICAL SPECIFICATIONS @ 25°C

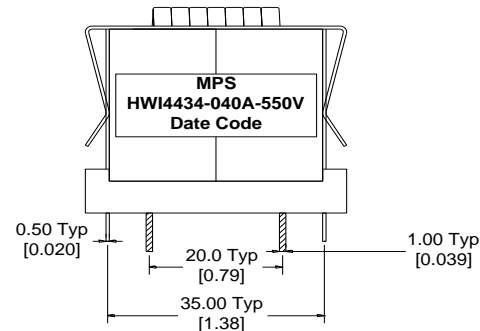
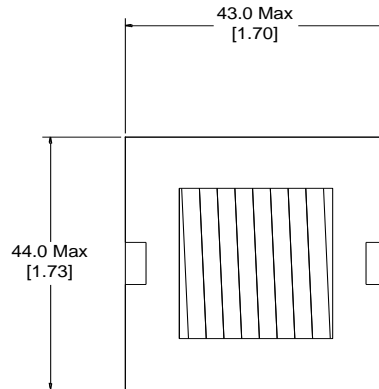
L: 55μH±15% @ 10kHz, 1Vrms  
 Isat: ΔL ≤ 10% @ 25A  
           ΔL ≤ 30% @ 48A  
 Irms: ΔT ≤ 20°C @ 26A  
           ΔT ≤ 40°C @ 40 A  
 DCR: 4.5mΩ Max  
 Hipot: 500Vdc, 1mA Max, 5s, wdg to core  
 Insulation Class: Class H 180°C  
 RoHS Compliant: Yes

### SCHEMATIC



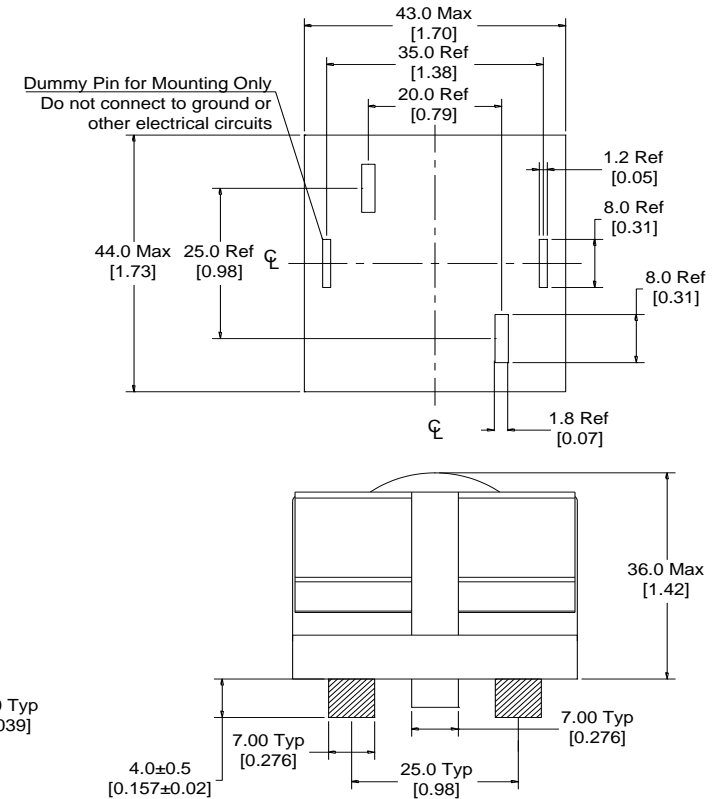
### MARKING

MPS  
 HWI4434-040A-550V\_REV#  
 Date Code



### DIMENSIONS

### Recommended PCB Layout



Dimensions: mm/[inch]

### Notice of Proprietary Property

These drawings and specifications are the property of MPS and shall not be, reproduced, copied or used as the basis of manufacture of sale of apparatus without express written authorization

<b>Dimensions</b> Unless otherwise specified .XX ± 0.254mm [.010"] .XXX ± 0,13mm [.005"]		DRAWN BY: CHECKED BY:	MIG KC	17-Mar-16 18-Mar-16	SIZE <b>A</b>	Part Number <b>HWI4434-040A-550V</b>	REV <b>C</b>
WEIGHT: 260 gms						SHEET: 1 OF 2	



MPS INDUSTRIES, INC.

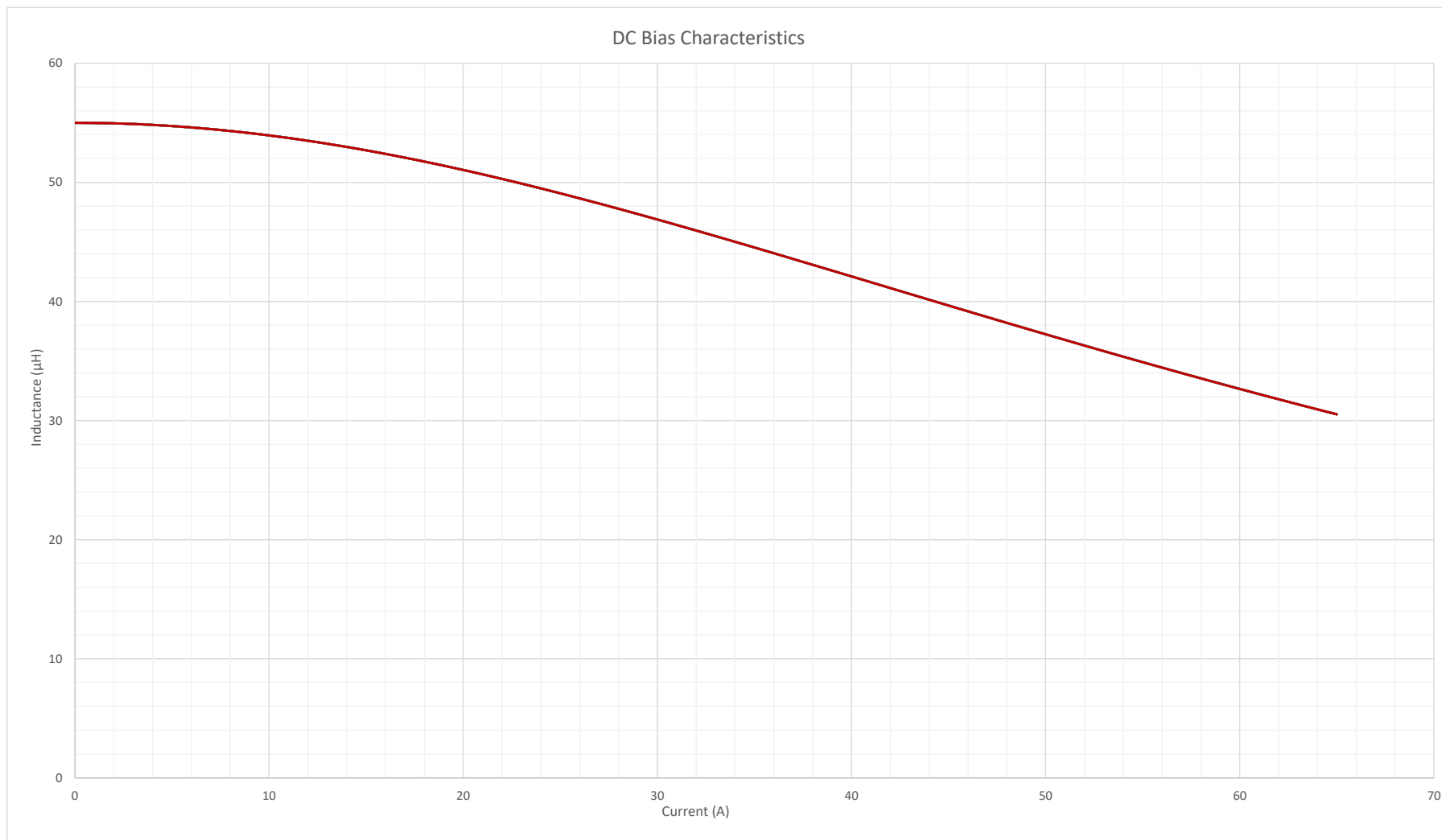
[www.mpsind.com](http://www.mpsind.com)

Tel: (310) 325-1043 Fax: (310) 325-1044

Description

**Helical Wound Inductor**

Rev	Description	By	Date
B	Released for Production	MIG	17-Mar-16
C	Corrected pin dimension and DC bias graph	AG	21-Sep-20



**Notice of Proprietary Property**

These drawings and specifications are the property of MPS and shall not be reproduced, copied or used as the basis of manufacture of sale of apparatus without express written authorization

<p><b>Dimensions</b> Unless otherwise specified .XX ± 0.254mm [.010"] .XXX ± 0.13mm [.005"]</p>		<p>DRAWN BY: CHECKED BY:</p>	<p>MIG KC</p>	<p>17-Mar-16 18-Mar-16</p>	<p>SIZE <b>A</b></p>	<p>Part Number <b>HWI4434-040A-550V</b></p>	<p>REVISION <b>C</b></p>
				SCALE: X:X	WEIGHT: 260 gms	SHEET: 2 OF 2	



**MPS INDUSTRIES, INC.**

www.mpsind.com

Tel: (310) 325-1043 Fax: (310) 325-1044

Description

**Helical Wound Inductor**