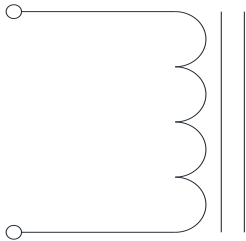


Rev	Description	By	Date
B	Released for Production	MIG	17-Mar-16
C	Corrected pin dimension and DC bias graph	AG	21-Sep-20

ELECTRICAL SPECIFICATIONS @ 25°C

L:	16μH±15% @ 10kHz, 1Vrms
Isat:	ΔL ≤ 10% @69A ΔL ≤ 30% @121A
Irms:	ΔT ≤ 20°C @ 40A ΔT ≤ 40°C @ 60A
DCR:	1.9mΩ Max
Hipot:	500Vdc, 1mA, 5s, wdg to core
Insulation Class:	Class H 180°C
RoHS Compliant:	Yes

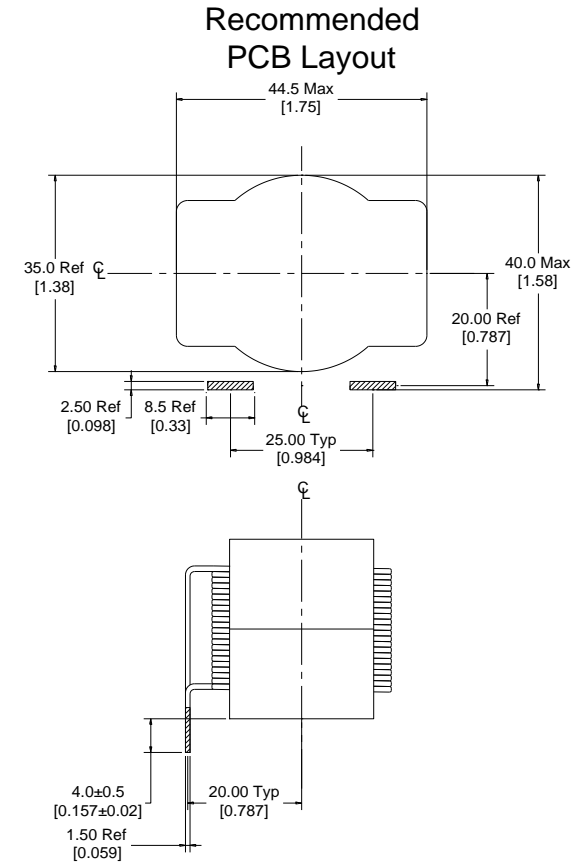
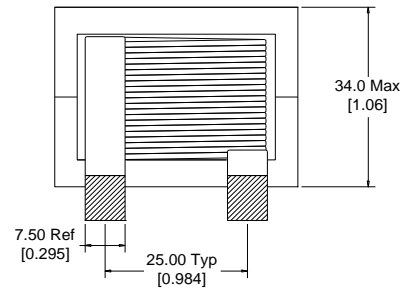
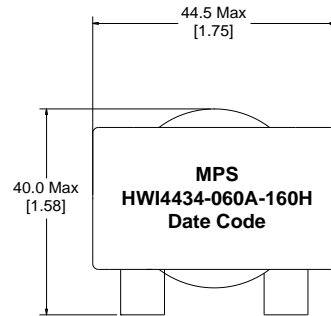
SCHEMATIC



MARKING

MPS
HWI4434-060A-160H_REV#
Date Code

DIMENSIONS



Dimensions: mm/[inch]

Notice of Proprietary Property

These drawings and specifications are the property of MPS and shall not be, reproduced, copied or used as the basis of manufacture of sale of apparatus without express written authorization

Dimensions Unless otherwise specified .XX ± 0.254mm [.010"] .XXX ± 0.13mm [.005"]	DRAWN BY: CHECKED BY:	MIG KC	17-Mar-16 18-Mar-16	SIZE A
---------------------------------------------------------------------------------------------------	--------------------------	-----------	------------------------	------------------



MPS INDUSTRIES, INC.

www.mpsind.com

Tel: (310) 325-1043 Fax: (310) 325-1044

Description

Helical Wound Inductor

Part Number

HWI4434-060A-160H

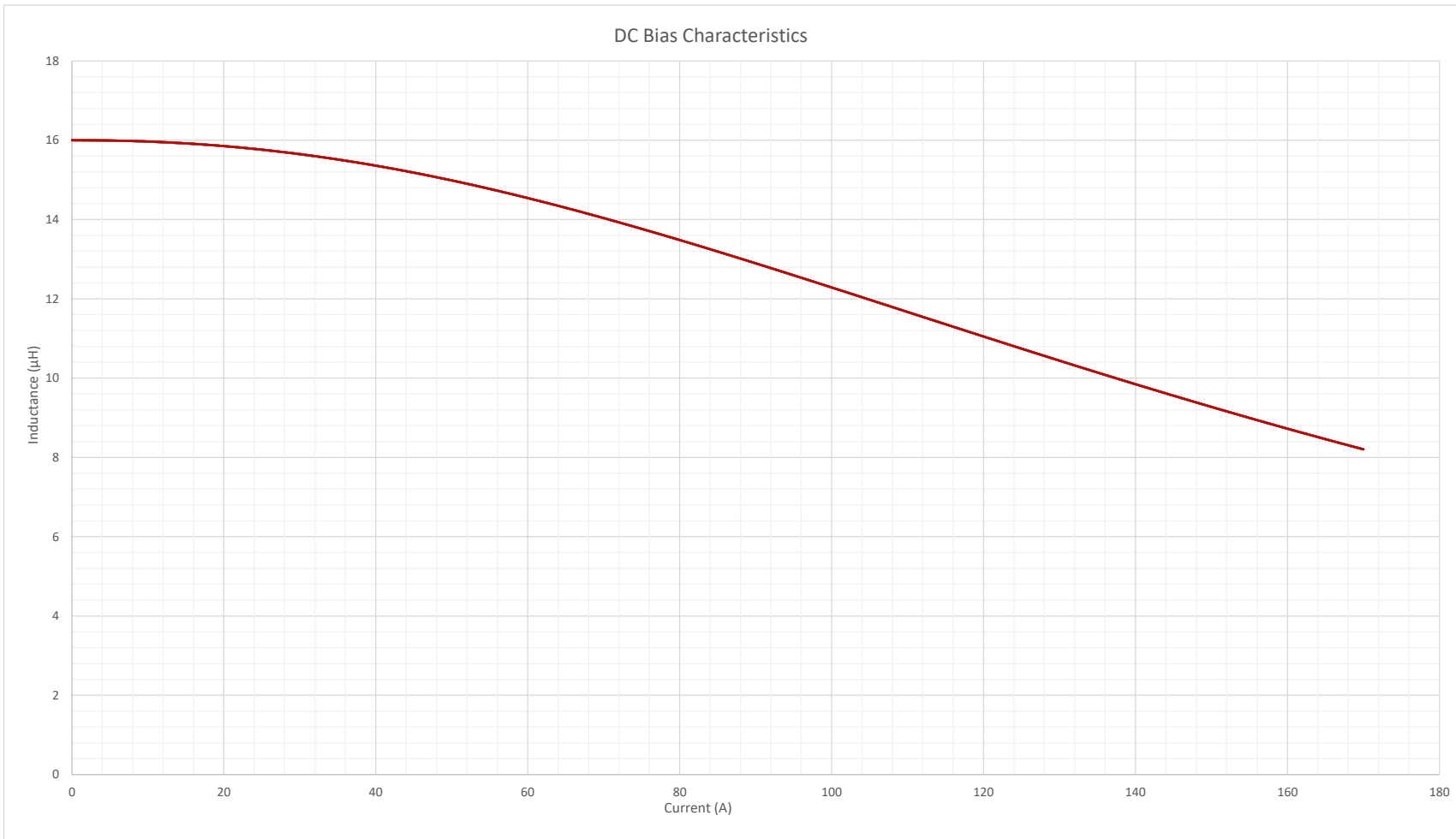
REV

C

WEIGHT: 250 gms

SHEET: 1 OF 2

Rev	Description	By	Date
B	Released for Production	MIG	17-Mar-16
C	Corrected pin dimension and DC bias graph	AG	21-Sep-20



Notice of Proprietary Property

These drawings and specifications are the property of MPS and shall not be, reproduced, copied or used as the basis of manufacture or sale of apparatus without express written authorization



MPS INDUSTRIES, INC.

www.mpsind.com

Tel: (310) 325-1043 Fax: (310) 325-1044

Description

Helical Wound Inductor

Dimensions
 Unless otherwise specified
 .XX ± 0.254mm [.010"]
 .XXX ± 0.13mm [.005"]

DRAWN BY:
 CHECKED BY:

MIG
 KC

17-Mar-16
 18-Mar-16

SIZE
A

Part Number

HWI4434-060A-160H

REV

C

SCALE: X:X

WEIGHT: 250 gms

SHEET: 2 OF 2