

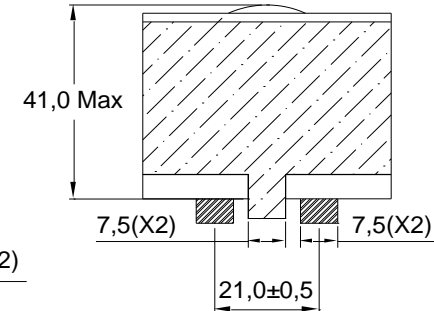
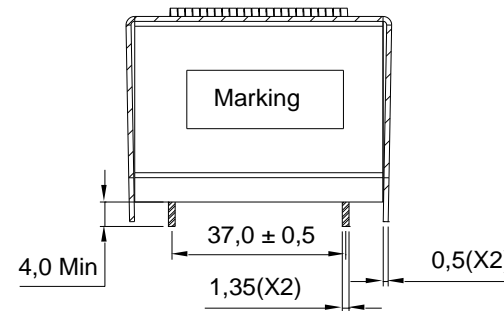
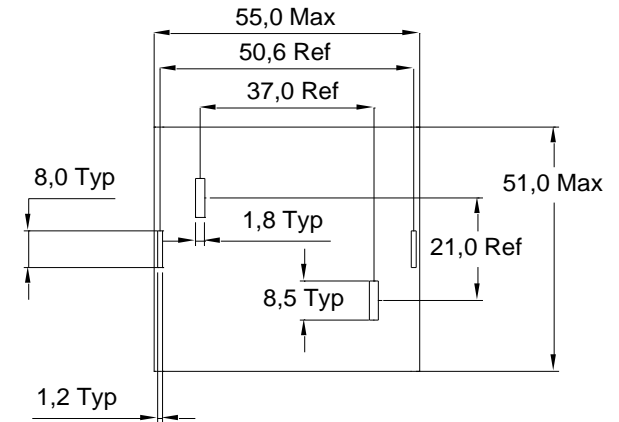
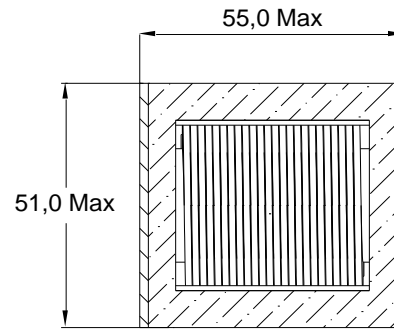
Rev	Description	By	Date
1	Preliminary	SO	7-Jul-23

### ELECTRICAL SPECIFICATIONS @ 25°C

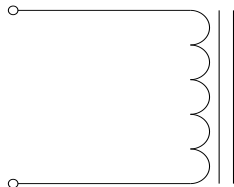
L:	94μH±15% @ 100kHz, 1Vrms
Isat:	ΔL≤10% @ 28A
	ΔL≤20% @ 43A
	ΔL≤30% @ 56A
Irms:	ΔT≤20°C @ 35A
	ΔT≤40°C @ 54A
DCR:	5.2mΩ Max
SRF:	6.5MHz Typ
Hipot:	2kVdc, 1mA Max, 10s (wdg to case)
RoHS Compliant:	Yes

### DIMENSIONS

#### Recommended PCB Layout



### SCHEMATIC



### MARKING

MPS  
HWI5252-054A-940V\_ Rev#  
Date Code

Dimensions: mm

#### Notice of Proprietary Property

These drawings and specifications are the property of MPS and shall not be, reproduced, copied or used as the basis of manufacture of sale of apparatus without express written authorization

<b>Dimensions</b> Unless otherwise specified .XX ± .010" [0,254mm] .XXX ± .005" [0,13mm]	DRAWN BY: CHECKED BY:	SO SO	7-Jul-23 7-Jul-23	SIZE <b>A</b>
---	--------------------------	----------	----------------------	------------------



MPS INDUSTRIES, INC.

[www.mpsind.com](http://www.mpsind.com)

Tel: (310) 325-1043 Fax: (310) 325-1044

Description

**High Power Inductor**

Part Number

**HWI5252-054A-940V**

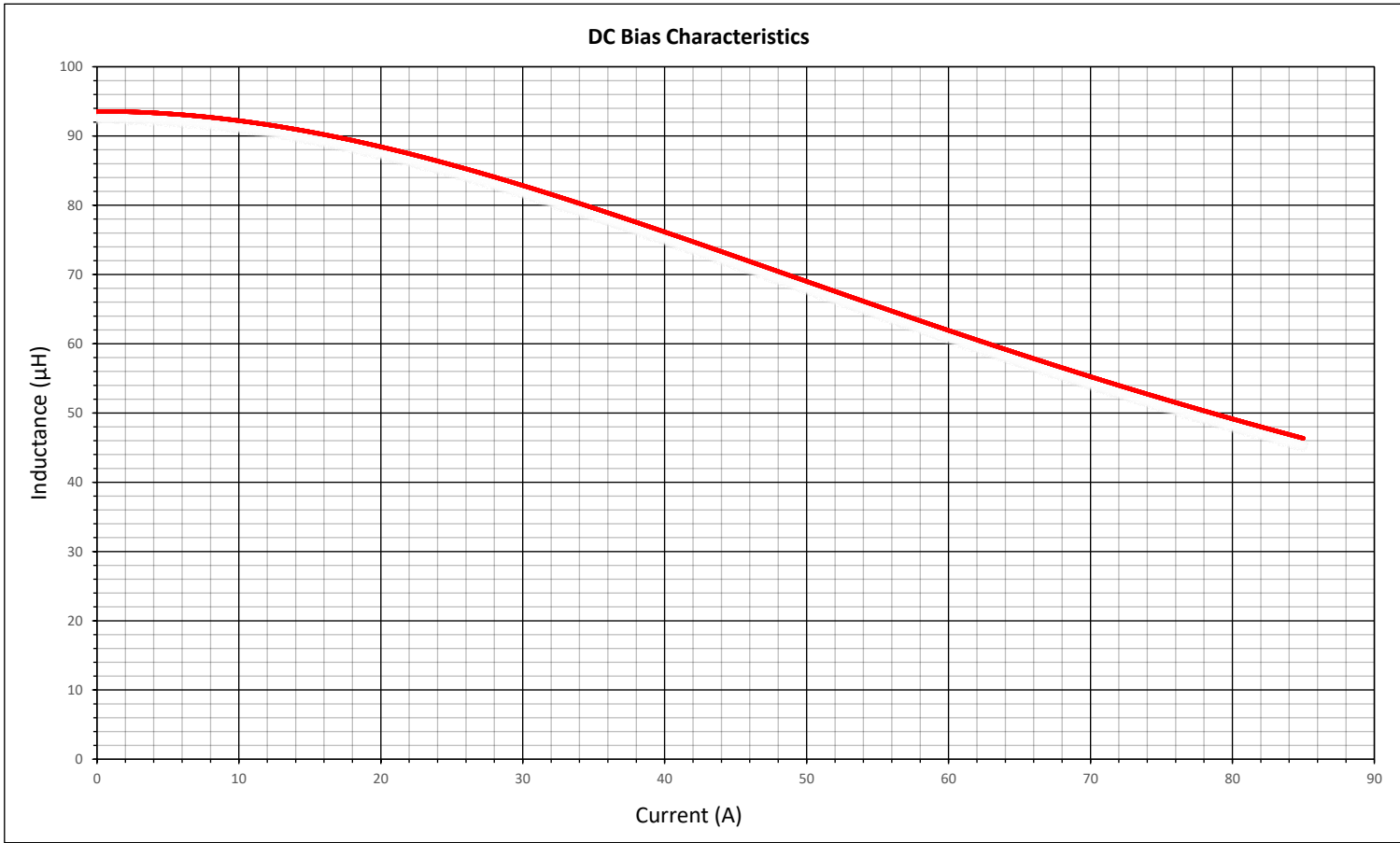
REV

**1**

WEIGHT: xx gms

SHEET: 1 OF 2

Rev	Description	By	Date
1	Preliminary	SO	7-Jul-23



**Notice of Proprietary Property**

These drawings and specifications are the property of MPS and shall not be, reproduced, copied or used as the basis of manufacture of sale of apparatus without express written authorization

**Dimensions**

Unless otherwise specified  
 .XX ± .010" [0,254mm]  
 .XXX ± .005" [0,13mm]

DRAWN BY:  
 CHECKED BY:

SO 7-Jul-23  
 SO 7-Jul-23

SIZE  
**A**

SCALE: X:X



**MPS INDUSTRIES, INC.**  
 www.mpsind.com  
 Tel: (310) 325-1043 Fax: (310) 325-1044

Description

**High Power Inductor**

Part Number

**HWI5252-054A-940V**

REV

**1**

WEIGHT: 800 gms

SHEET: 2 OF 2