

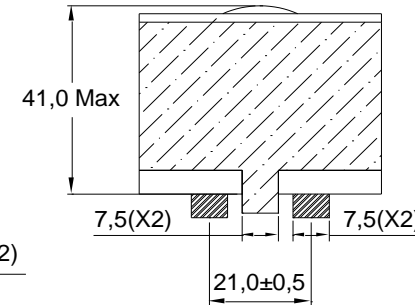
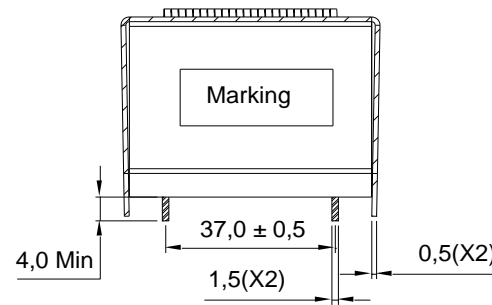
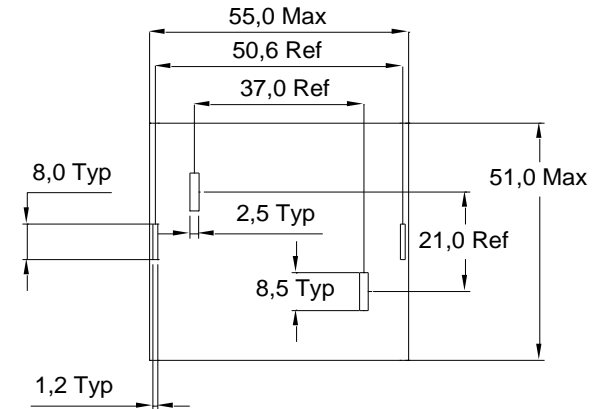
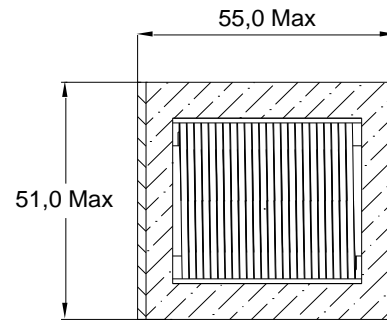
Rev	Description	By	Date
1	Preliminary	SO	7-Jul-23

ELECTRICAL SPECIFICATIONS @ 25°C

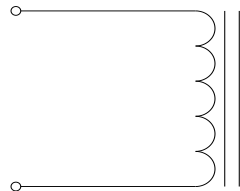
L: 78μH±15% @ 100kHz, 1Vrms
 Isat: ΔL≤10% @ 31A
 ΔL≤20% @ 47A
 ΔL≤30% @ 61A
 Irms: ΔT≤20°C @ 39A
 ΔT≤40°C @ 59A
 DCR: 4.2mΩ Max
 SRF: 6.2MHz Typ
 Hipot: 2kVdc, 1mA Max, 10s (wdg to case)
 RoHS Compliant: Yes

DIMENSIONS

Recommended PCB Layout



SCHEMATIC



MARKING

MPS
 HWI5252-059A-780V_ Rev#
 Date Code

Dimensions: mm

Notice of Proprietary Property

These drawings and specifications are the property of MPS and shall not be, reproduced, copied or used as the basis of manufacture of sale of apparatus without express written authorization

Dimensions Unless otherwise specified .XX ± .010" [0,254mm] .XXX ± .005" [0,13mm]	DRAWN BY: CHECKED BY:	SO SO	16-Aug-23 16-Aug-23	SIZE A
---	--------------------------	----------	------------------------	------------------



MPS INDUSTRIES, INC.

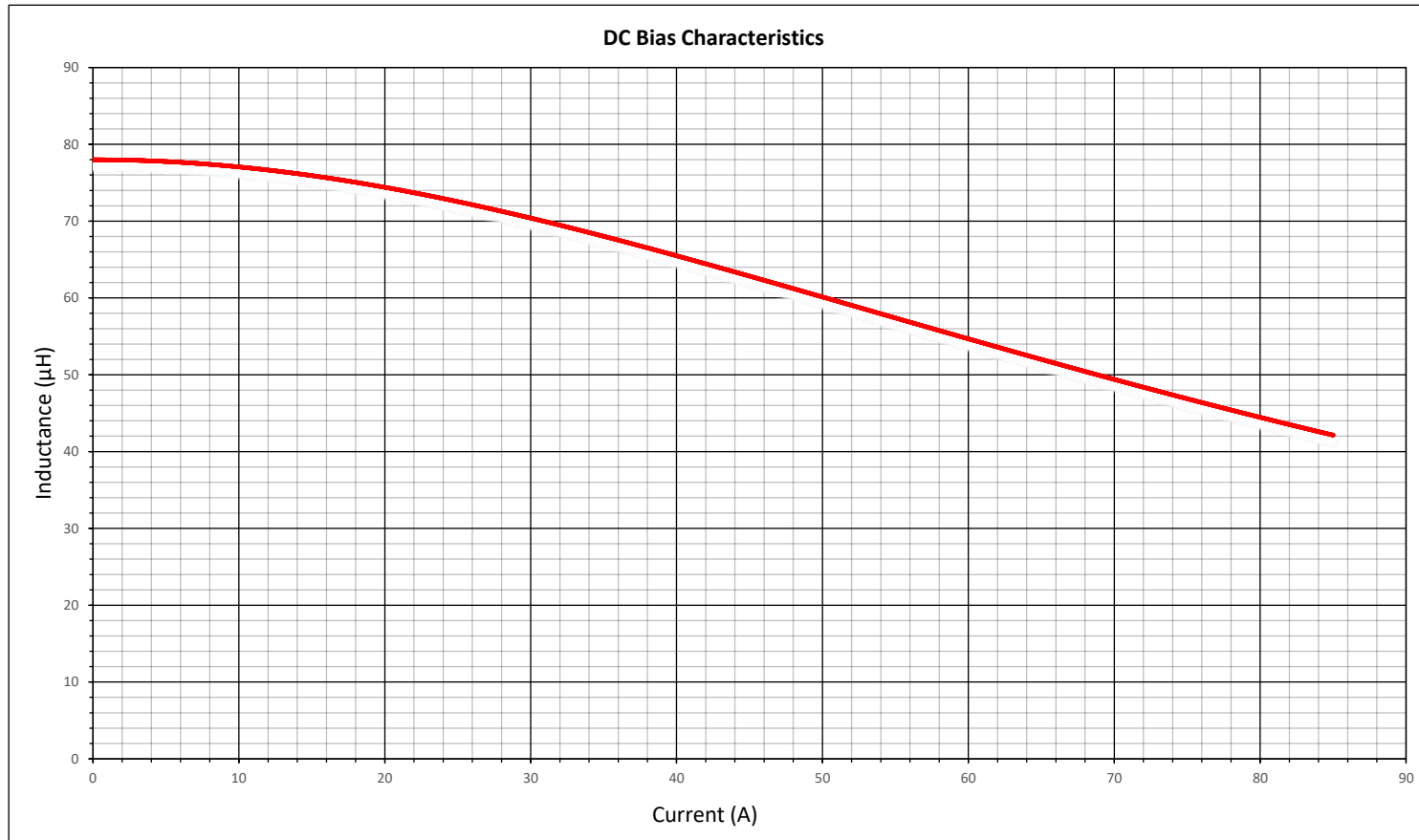
www.mpsind.com

Tel: (310) 325-1043 Fax: (310) 325-1044

Description High Power Inductor		Part Number HWI5252-059A-780V	REV 1
WEIGHT: xx gms		SHEET: 1 OF 2	

Rev	Description	By	Date
1	Preliminary	SO	7-Jul-23

DC BIAS



Notice of Proprietary Property
 These drawings and specifications are the property of MPS and shall not be, reproduced, copied or used as the basis of manufacture of sale of ap AG without express written authorization

Dimensions
 Unless otherwise specified
 .XX ± .010" [0,254mm]
 .XXX ± .005" [0,13mm]

DRAWN BY:
 CHECKED BY:

SO 16-Aug-23
 SO 16-Aug-23

7/21/2017
 7/21/2017



MPS INDUSTRIES, INC.
 www.mpsind.com
 Tel: (310) 325-1043 Fax: (310) 325-1044

Description
High Power Inductor

Part Number	REV
HWI5252-059A-780V	1
SCALE: X:X	WEIGHT: 800 gms SHEET: 2 OF 2