

# MAGNETIC EPOXY SHIELDED SMT POWER INDUCTOR



## PSF74 SERIES



- Magnetic shielding using magnetic epoxy resin results in lower costs as compared to traditional ferrite shielded inductors
- Size: 7.5mm length x 7.0mm width x 4.5mm height
- Operating Temperature -40°C to +120°C
- RoHS Compliant Product
- Custom Design Available

## ELECTRICAL PARAMETERS @ 25°C

Part Number	INDUCTANCE ( $\mu$ H) $\pm 20\%$	Isat (A <sub>dc</sub> ) MAX	DCR ( $\Omega$ ) MAX
PSF74-			
100M	10	1.84	0.049
150M	15	1.47	0.081
220M	22	1.23	0.11
330M	33	0.96	0.17
390M	39	0.91	0.23
470M	47	0.88	0.26
560M	56	0.75	0.35
680M	68	0.69	0.38
101M	100	0.60	0.61
151M	150	0.46	0.88
181M	180	0.42	0.98
221M	220	0.36	1.17
271M	270	0.34	1.64
331M	330	0.32	1.86
391M	390	0.29	2.85
471M	470	0.26	3.01
102M	1000	0.18	6.00
502M	5200	0.14	20.0

**Note:**

1. Inductance measured at 100KHz, 0.1Vrms
2. Isat:  $\Delta$ L drops 25% max from its initial value

Product performance is limited to specified parameters. Data is subject to change without prior notice.

Tel: 310-325-1043  
Fax: 310-325-1044

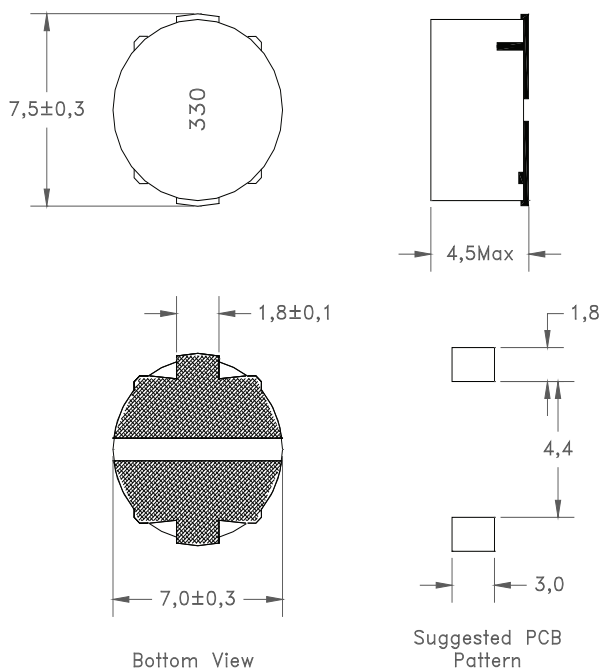
www.mpsind.com  
sales@mpsind.com

# MAGNETIC EPOXY COATED SMT POWER INDUCTOR



PSF74 SERIES

## DIMENSIONS (mm)



Product performance is limited to specified parameters. Data is subject to change without prior notice.

**Dimensions**  
Unless otherwise specified, all tolerances are:  
inch: .XX :  $\pm 0,015$  .XXX :  $\pm 0,004$   
mm: X,X :  $\pm 0,38$  X,XX :  $\pm 0,10$

Tel: 310-325-1043  
Fax: 310-325-1044

www.mpsind.com  
sales@mpsind.com