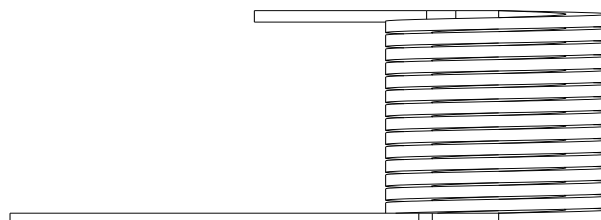
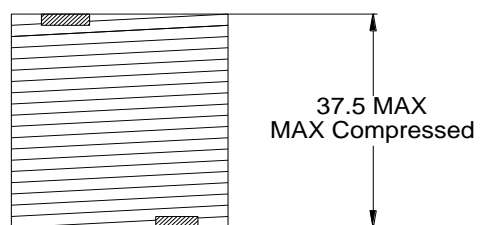
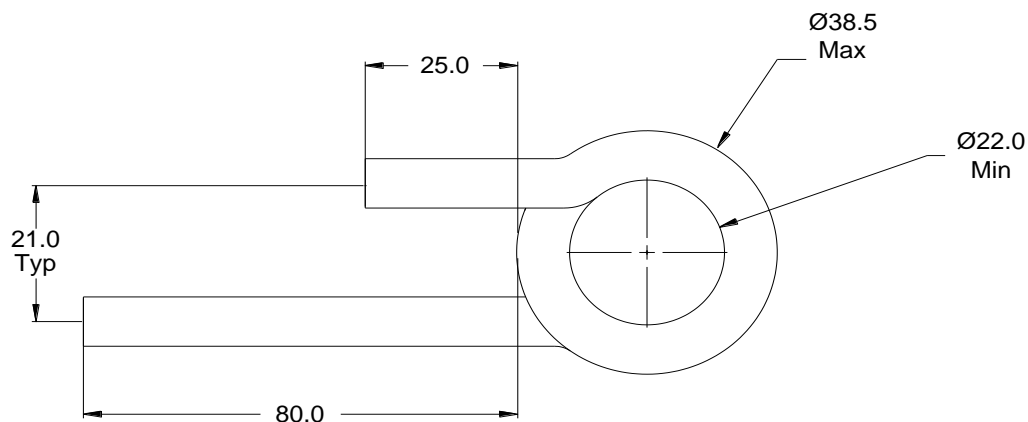


Rev	Description	By	Date
1	Preliminary	MIG	30-Mar-16
2	Extended bottom lead to 80mm	SO	3-Aug-22

**Base**  
305-150075-220-21



Dimensions: mm

**Base Materials:** [1.50mm x 7.50mm Wire](#)

DCR: 3.9mΩ MAX  
Turns Number: 21T  
Insulation Class: Class K MIN, 200°C  
RoHS Compliant: Yes

**Notice of Proprietary Property**

These drawings and specifications are the property of MPS and shall not be, reproduced, copied or used as the basis of manufacture or sale of apparatus without express written authorization

<b>Dimensions</b> Unless otherwise specified .XX ± .010" [0,254mm] .XXX ± .005" [0,13mm]	DRAWN BY: CHECKED BY:	MIG SO	30-Mar-16 3-Aug-22	SIZE <b>A</b>
---	--------------------------	-----------	-----------------------	------------------



**MPS INDUSTRIES, INC.**

[www.mpsind.com](http://www.mpsind.com)

Tel: (310) 325-1043 Fax: (310) 325-1044

Description

**HEW Coil, 1.50mm x 7.50mm Ø 22.0 mm 21 Turns**

Part Number

**305-150075-220-21**

REV

**2**

WEIGHT: XX gms

SHEET: 1 OF 1