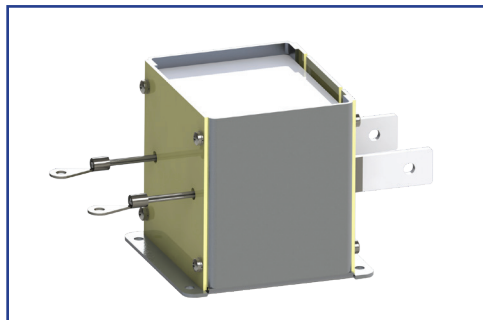


DUAL ACTIVE BRIDGE (DAB) PSFB TRANSFORMER



E6527



- Ideally suited for Dual Active Bridge (DAB) or Phase Shifted Full Bridge Transformer applications
- High efficiency and cost effective design and construction
- Operating Temperature -40°C to $+125^{\circ}\text{C}$
- Suggested Cooling: Heat Sink or 120LFM Force Air
- RoHS Compliant Product
- Custom Design Available

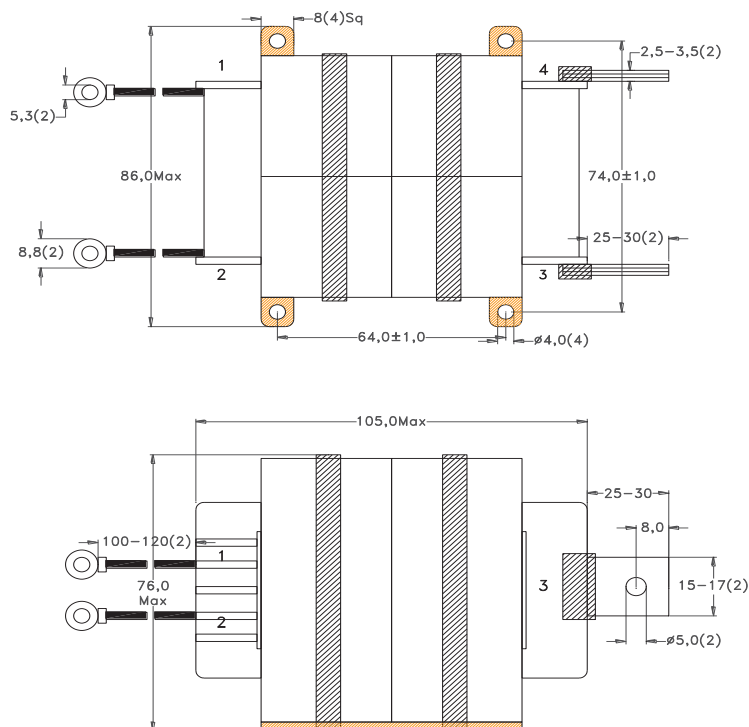
ELECTRICAL PARAMETERS @ 25°C

Part Number	Input V_{DC}	Output V_{DC}	Output A_{DC} Max	Switching Frequency KHz	Output Power Watts Max	Lp (1-2) mH Min	L_L (1-2) μH Max	DCR (1-2) m Ω Max	DCR (3-4) m Ω Max	Turns Ratio (1-2 : 4-3) $\pm 3\%$
E6527	380 - 420	20 - 33	250	100	7000	1.80	16.0	20.0	0.50	11 : 1

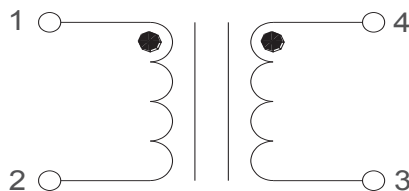
Note:

1. Lp: Measured @ 10KHz, $0.1V_{RMS}$
2. L_L : Measured @ 100KHz, $0.1V_{RMS}$ (With 3-4 shorted)
3. Polarity: 1 and 4 are in phase
4. Hipot (1-2 to 3-4): $2KV_{RMS}$, 1mA, 10S
5. Hipot (wdgs to core): $2KV_{RMS}$, 1mA, 10S

DIMENSIONS (mm)



SCHEMATIC



Revised 1/15/2019

Product performance is limited to specified parameters. Data is subject to change without prior notice.

Tel: 310-325-1043
Fax: 310-325-1044

www.mpsind.com
sales@mpsind.com