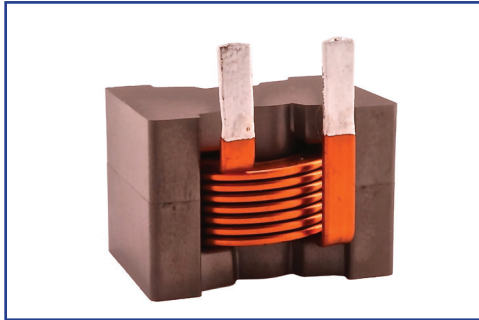


FLAT WIRE HIGH CURRENT INDUCTOR



H1100 SERIES



- High Current Inductors (inductance range from 6.8 μ H to 68 μ H) in a compact size package (33.5mm x 28mm x 21.5mm)
- Flat wire coil minimizes losses at high frequency
- Vertical and horizontal mount versions available (add -V or -H after part number for mounting version)
- Operating Temperature -40°C to +150°C
- RoHS Compliant Product
- Custom Design Available

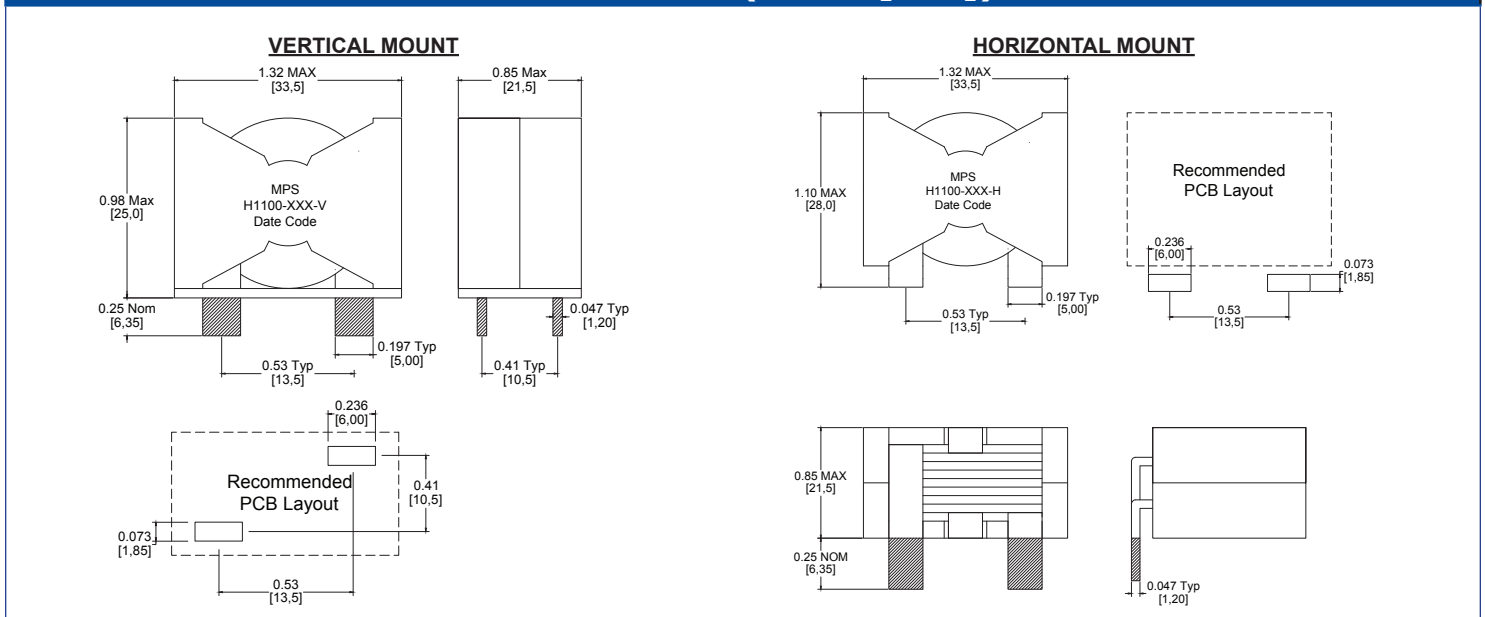
ELECTRICAL PARAMETERS @ 25°C

Part Number	INDUCTANCE (μ H) $\pm 10\%$	DCR (m Ω) MAX	SRF (MHz) TYP	Isat (A) Typ 10% drop	Irms (A) Typ 20°C rise	Irms (A) Typ 40°C rise
H1100-6R8	6.8	2.0	21.0	50.0	28.5	44
H1100-100	10	2.0	15.6	34.0	28.5	44
H1100-150	15	2.0	12.6	23.0	28.5	44
H1100-220	22	2.0	9.8	15.5	28.5	44
H1100-330	33	2.0	7.1	10.5	28.5	44
H1100-470	47	2.0	6.0	7.3	28.5	44
H1100-680	68	2.0	4.7	5.0	28.5	44

Note:

1. Inductance measured at 100KHz, 0.1Vrms
2. Isat is DC current at which the inductance drops the specified amount from its original value without bias.
3. Irms is the DC current that causes the specified temperature rise of the winding from 25°C ambient for the inductor.

DIMENSIONS (inch / [mm])



Dimensions

Unless otherwise specified, all tolerances are:

inch: XX : ± 0.015 XXX : ± 0.004

mm: X,X : ± 0.38 X,XX : ± 0.10

Product performance is limited to specified parameters. Data is subject to change without prior notice.

Tel: 310-325-1043
Fax: 310-325-1044

www.mpsind.com
sales@mpsind.com