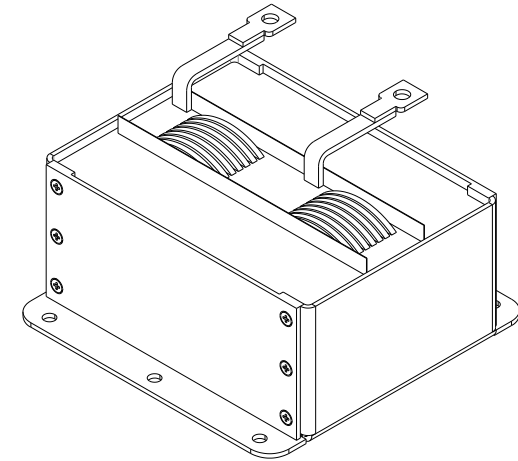
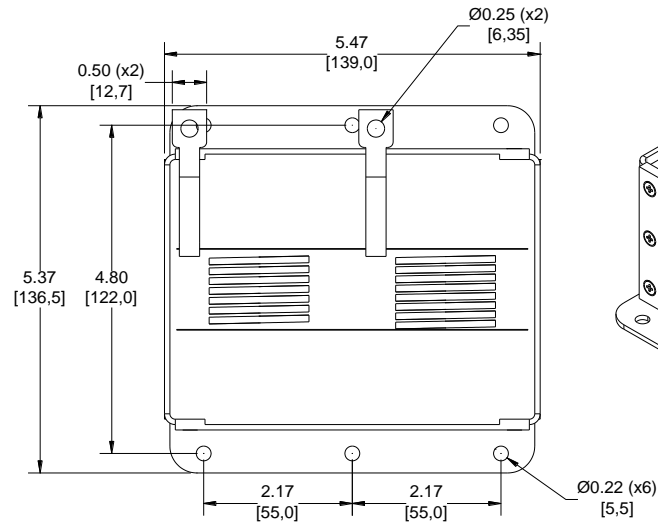


Rev	Description	By	Date
A	Released for production	AG	7-Oct-20

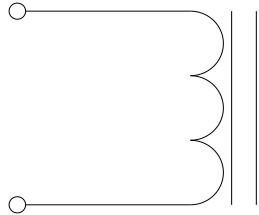
ELECTRICAL SPECIFICATIONS @ 25°C

L: 160 μ H \pm 10% @ 10kHz, 1Vrms
 Isat: Δ L \leq 30% @ 105Adc
 DCR: 4.8m Ω Max
 Irms: Δ T \leq 40°C @ 83A
 Hipot: 2kVrms, 1mA Max, 10s (wdg to case)
 Operating Temp: -40°C to +150°C
 RoHS Compliant: Yes

DIMENSIONS

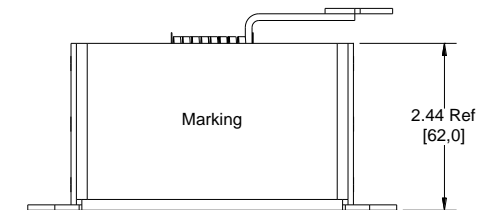
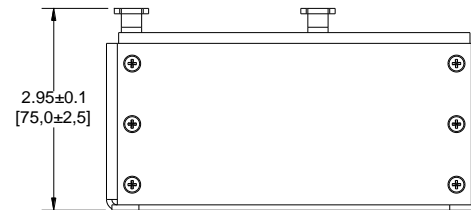


SCHEMATIC



MARKING

MPS
 HWI42P1-083A-161P_REV#
 Date Code



Dimensions: inch/mm

Notice of Proprietary Property

These drawings and specifications are the property of MPS and shall not be, reproduced, copied or used as the basis of manufacture of sale of apparatus without express written authorization



MPS INDUSTRIES, INC.

www.mpsind.com

Tel: (310) 325-1043 Fax: (310) 325-1044

Description

Power Inductor

Part Number

HWI42P1-083A-161P

REV

A

Dimensions
 Unless otherwise specified
 .XX \pm .010" [0,254mm]
 .XXX \pm .005 [0,13mm]

DRAWN BY:
 CHECKED BY:

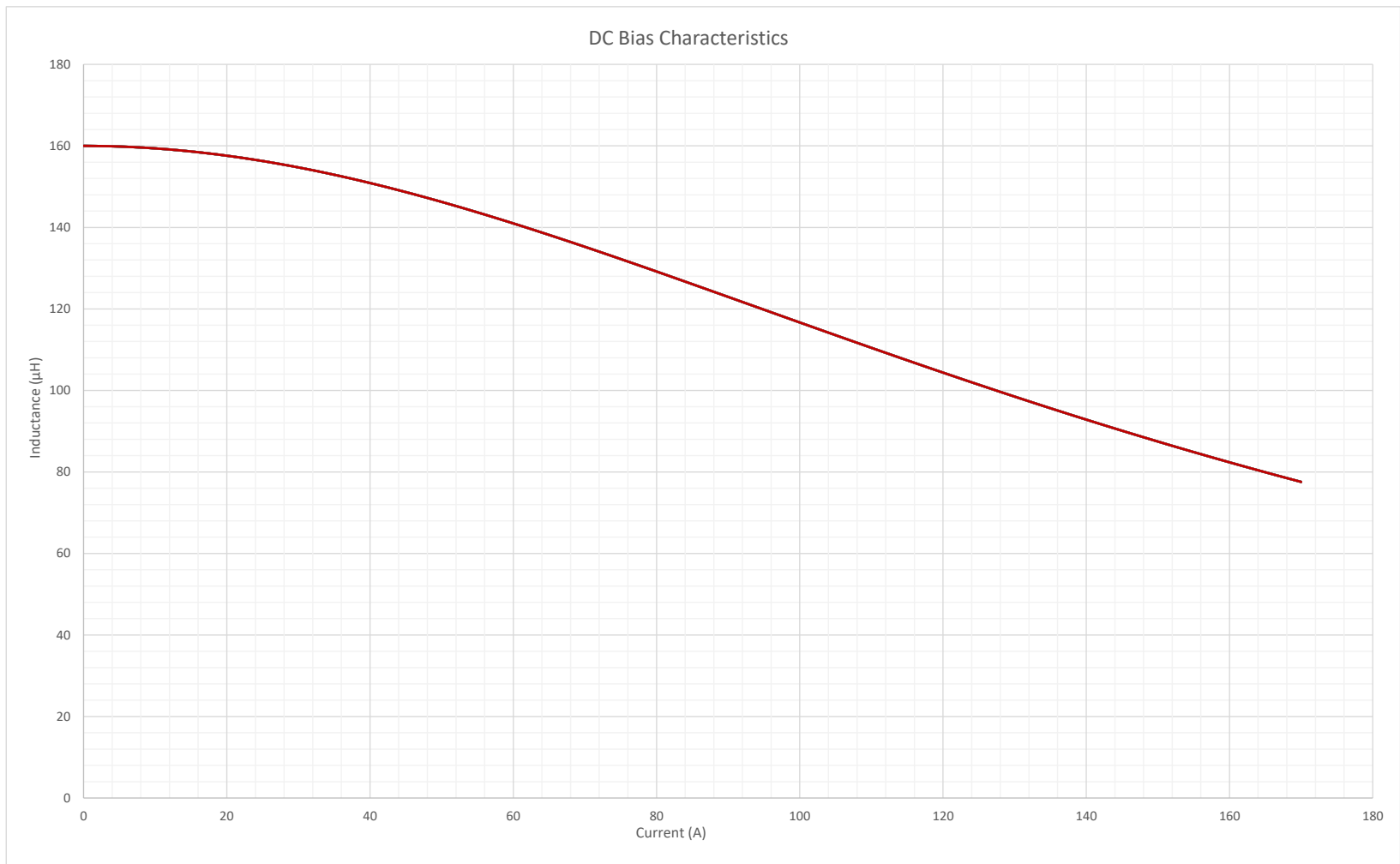
AG 7-Oct-20
 AY 8-Oct-20

SIZE
A

WEIGHT: XX gms

SHEET: 1 OF 2

Rev	Description	By	Date
A	Released for production	AG	7-Oct-20



Notice of Proprietary Property

These drawings and specifications are the property of MPS and shall not be, reproduced, copied or used as the basis of manufacture or sale of apparatus without express written authorization

Dimensions Unless otherwise specified .XX ± .010" [0,254mm] .XXX ± .005 [0,13mm]	DRAWN BY: CHECKED BY:	AG AY	7-Oct-20 8-Oct-20
--	--------------------------	----------	----------------------



MPS INDUSTRIES, INC.

www.mpsind.com

Tel: (310) 325-1043 Fax: (310) 325-1044

Description Power Inductor	
Part Number HWI42P1-083A-161P	REV A
WEIGHT: XX gms	SHEET: 2 OF 2