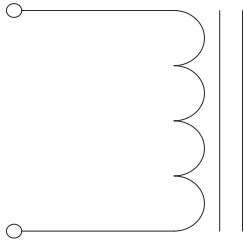


Rev	Description	By	Date
B	Released for Production	MIG	17-Mar-16

ELECTRICAL SPECIFICATIONS @ 25°C

L: 55µH±15% @ 10kHz, 1Vrms
 Isat: ΔL ≤ 10% @ 25A
 ΔL ≤ 30% @ 48A
 Irms: ΔT ≤ 20°C @ 26A
 ΔT ≤ 40°C @ 40 A
 DCR: 4.5mΩ Max
 Hipot: 500Vdc, 1mA Max, 5s, wdg to core
 Insulation Class: Class H 180°C
 RoHS Compliant: Yes

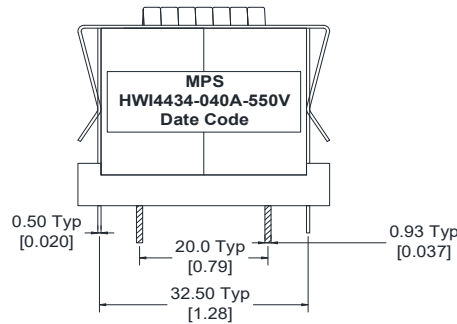
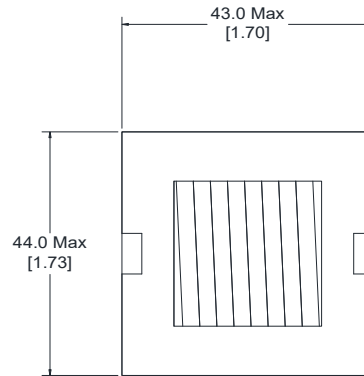
SCHEMATIC



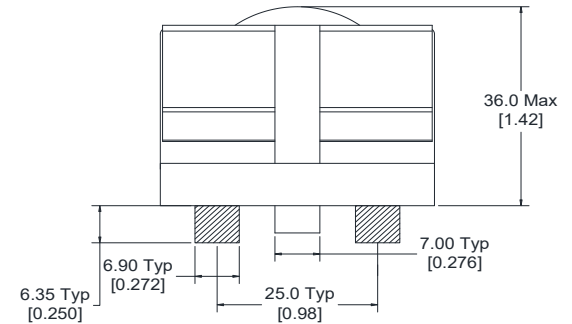
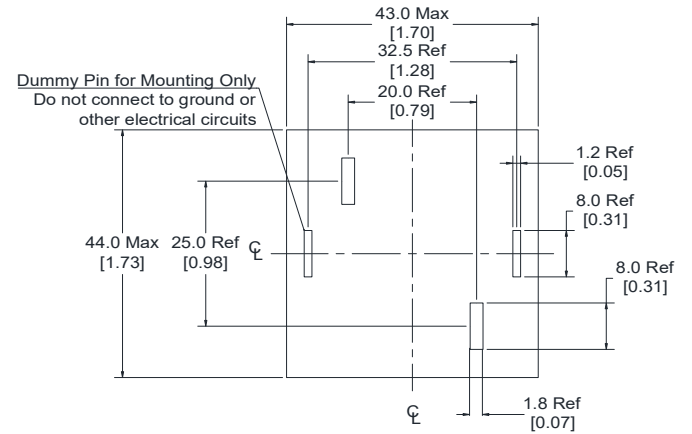
MARKING

MPS
 HWI4434-040A-550V
 Date Code

DIMENSIONS



Recommended PCB Layout



Dimensions: mm/[inch]

Notice of Proprietary Property

These drawings and specifications are the property of MPS and shall not be reproduced, copied or used as the basis of manufacture of sale of apparatus without express written authorization



MPS INDUSTRIES, INC.

www.mpsind.com

Tel: (310) 325-1043 Fax: (310) 325-1044

Description

Helical Wound Inductor

Dimensions
 Unless otherwise specified
 .XX ± 0.254mm [.010"]
 .XXX ± 0.13mm [.005"]

DRAWN BY:
 CHECKED BY:

MIG
 KC
 17-Mar-16
 18-Mar-16

SIZE
A

Part Number

HWI4434-040A-550V

WEIGHT: 260 gms

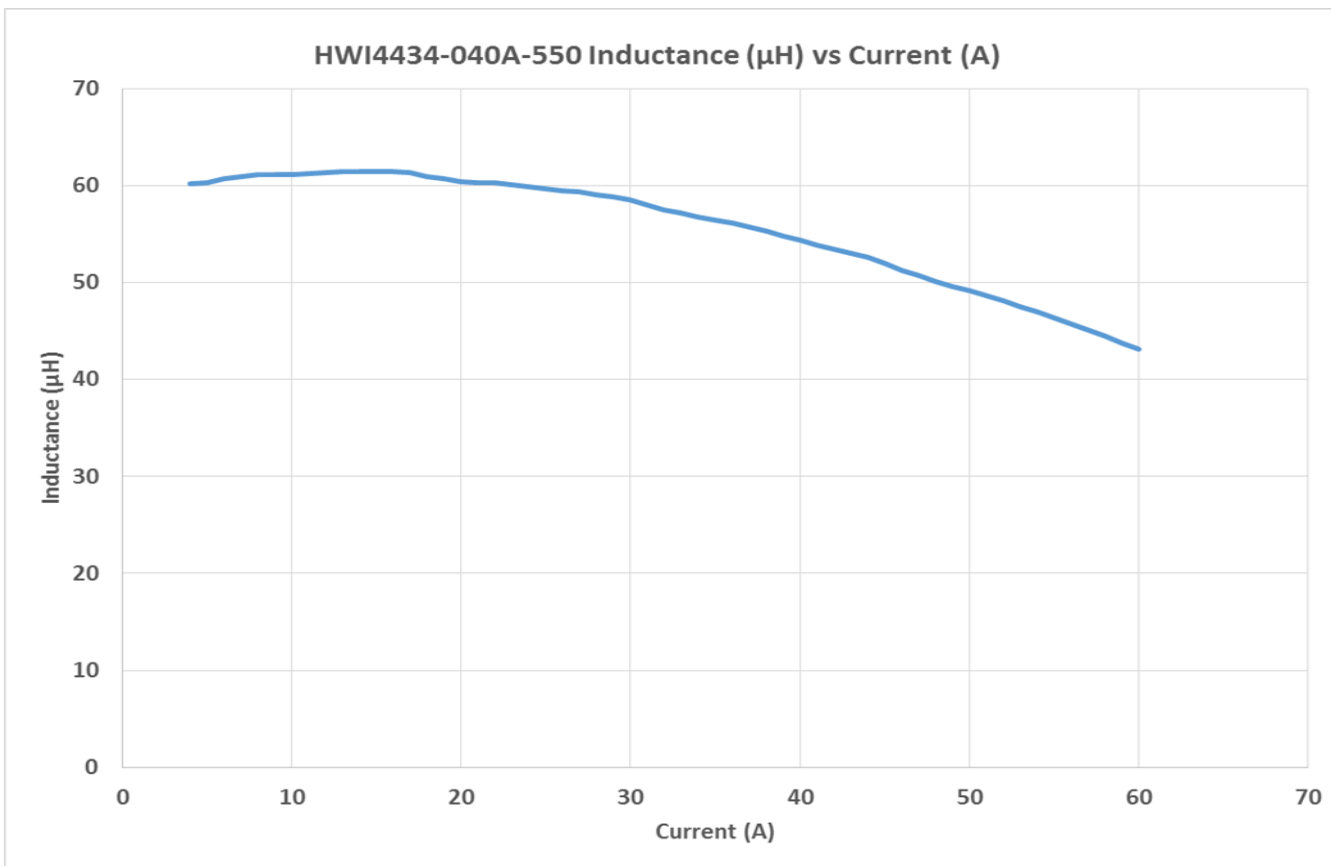
SHEET: 1 OF 2

REV

B

Rev	Description	By	Date
B	Released for Production	MIG	17-Mar-16

DC Bias Data:



Notice of Proprietary Property

These drawings and specifications are the property of MPS and shall not be, reproduced, copied or used as the basis of manufacture of sale of apparatus without express written authorization

<p>Dimensions Unless otherwise specified .XX ± 0.254mm [.010"] .XXX ± 0.13mm [.005"]</p>		<p>DRAWN BY: CHECKED BY:</p>	<p>MIG KC</p>	<p>17-Mar-16 18-Mar-16</p>	<p>SIZE A</p>	<p>Part Number HWI4434-040A-550V</p>	<p>REV B</p>
<p>WEIGHT: 260 gms</p>						<p>SHEET: 2 OF 2</p>	



MPS INDUSTRIES, INC.

www.mpsind.com

Tel: (310) 325-1043 Fax: (310) 325-1044

Description

Helical Wound Inductor