

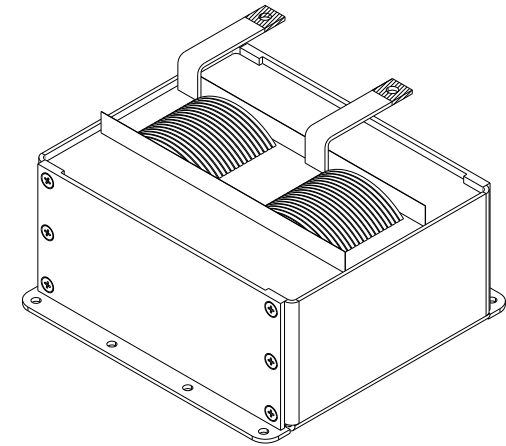
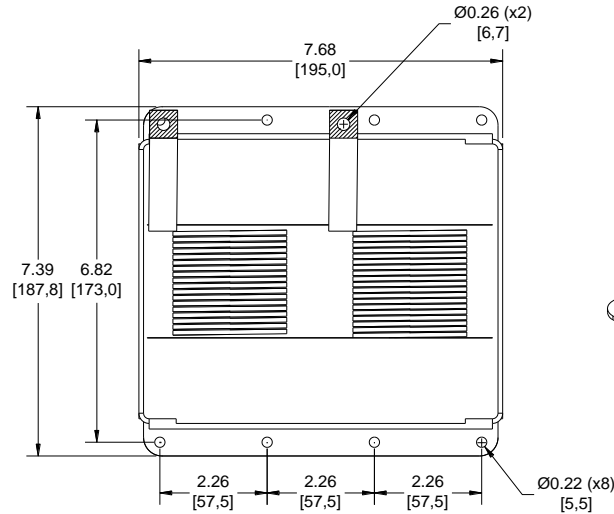
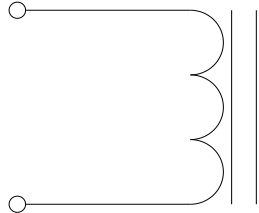
Rev	Description	By	Date
A	Released for production	AG	17-Mar-21

ELECTRICAL SPECIFICATIONS @ 25°C

L: 500μH±10% @ 10kHz, 1Vrms
 Isat: ΔL≤30% @ 127Adc
 DCR: 5.2mΩ Max
 Irms: ΔT≤40°C @ 115A
 Hipot: 2kVrms, 1mA Max, 10s (wdg to bracket)
 Operating Temp: -40°C to +150°C
 RoHS Compliant: Yes

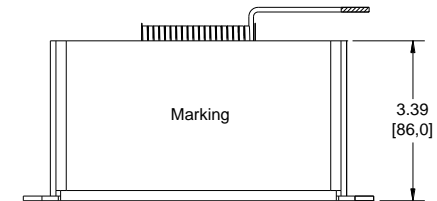
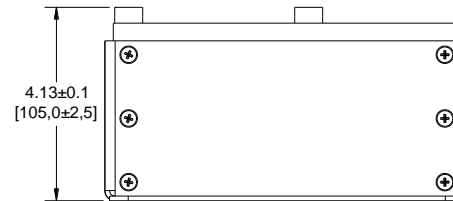
DIMENSIONS

SCHEMATIC



MARKING

MPS
 HWI55P2-115A-501P_REV#
 Date Code



Dimensions: inch/mm

Notice of Proprietary Property

These drawings and specifications are the property of MPS and shall not be, reproduced, copied or used as the basis of manufacture or sale of apparatus without express written authorization



MPS INDUSTRIES, INC.

www.mpsind.com

Tel: (310) 325-1043 Fax: (310) 325-1044

Description

Power Inductor

Dimensions
Unless otherwise specified
.XX ± .010" [0,254mm]
.XXX ± .005 [0,13mm]

DRAWN BY:
 CHECKED BY:

AG 17-Mar-21
 AY 17-Mar-21

SIZE
A

Part Number

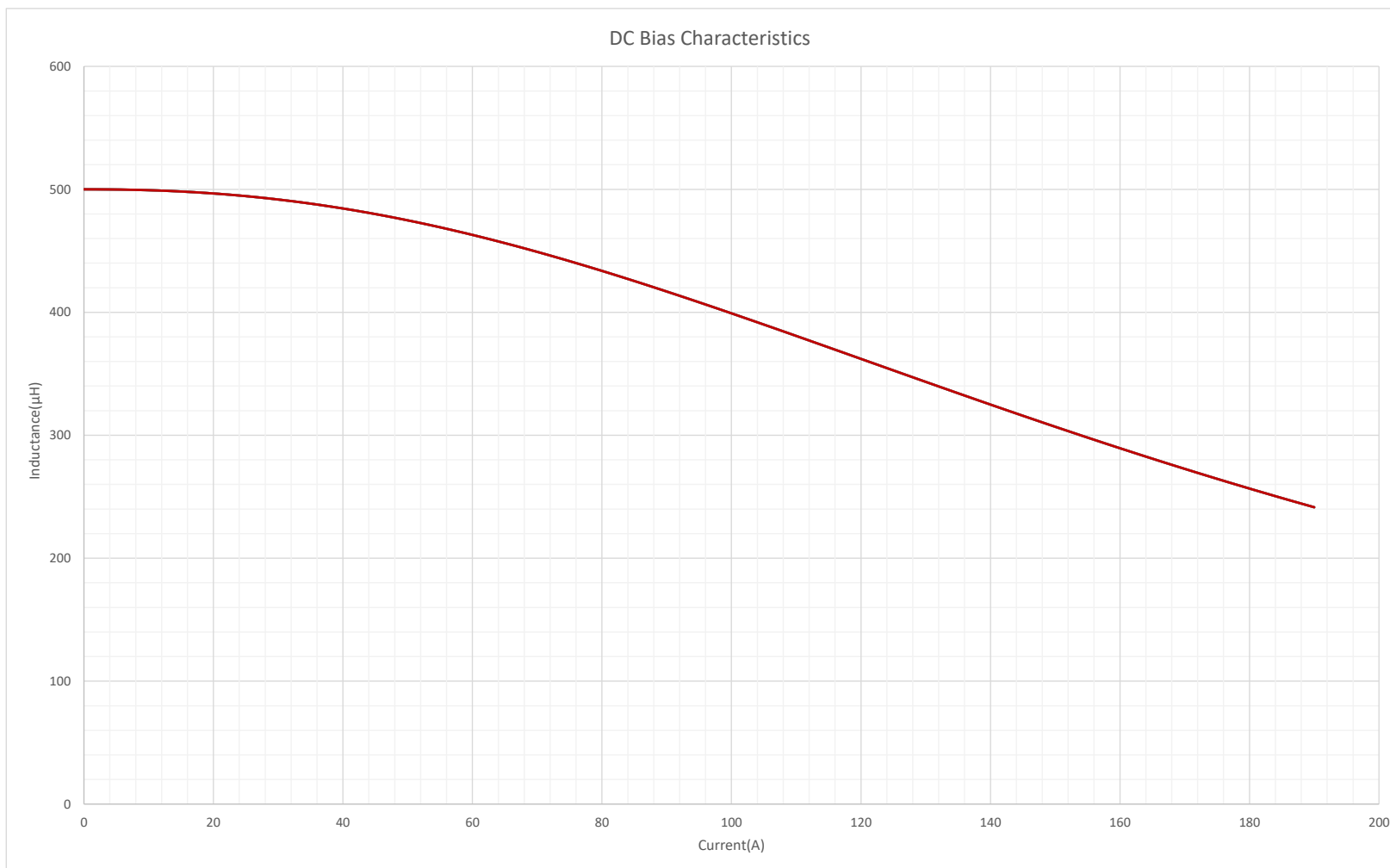
HWI55P2-115A-501P

WEIGHT: XX gms


SHEET: 1 OF 2

REV
A

Rev	Description	By	Date
A	Released for production	AG	17-Mar-21



Notice of Proprietary Property
 These drawings and specifications are the property of MPS and shall not be, reproduced, copied or used as the basis of manufacture or sale of apparatus without express written authorization



MPS INDUSTRIES, INC.
 www.mpsind.com
 Tel: (310) 325-1043 Fax: (310) 325-1044

Description
Power Inductor

Dimensions Unless otherwise specified .XX ± .010" [0,254mm] .XXX ± .005 [0,13mm]	DRAWN BY: CHECKED BY:	AG AY	17-Mar-21 17-Mar-21	SIZE A
--	--------------------------	----------	------------------------	------------------

Part Number HWI55P2-115A-501P	REV A
WEIGHT: XX gms	SHEET: 2 OF 2