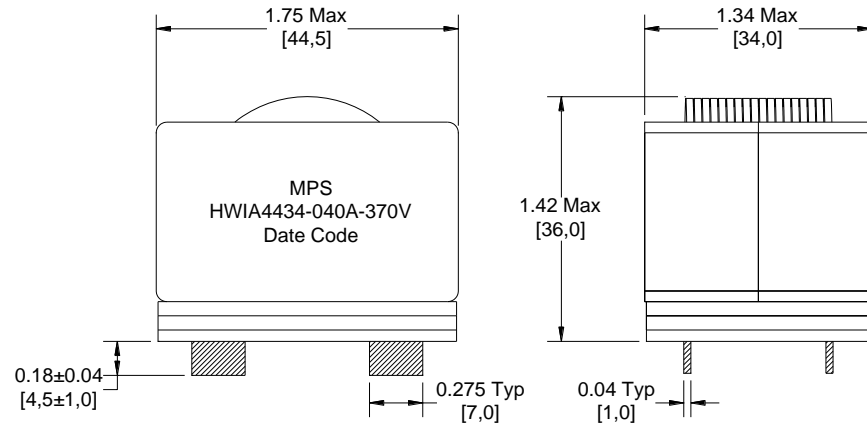


Rev	Description	By	Date
A	Released for production	AG	13-Jul-20

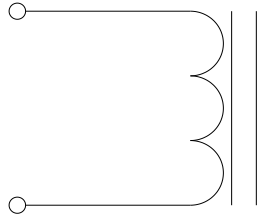
**ELECTRICAL SPECIFICATIONS @ 25°C**

L: 37μH±15% @ 10kHz, 1Vrms  
 Isat: ΔL≤10% @ 45A  
 ΔL≤30% @ 81A  
 Irms: ΔT≤20°C @ 26A  
 ΔT≤40°C @ 40A  
 DCR: 4.5mΩ Max  
 Hipot: 500Vdc, 1mA, 5s, wdg to core  
 RoHS Compliant: Yes

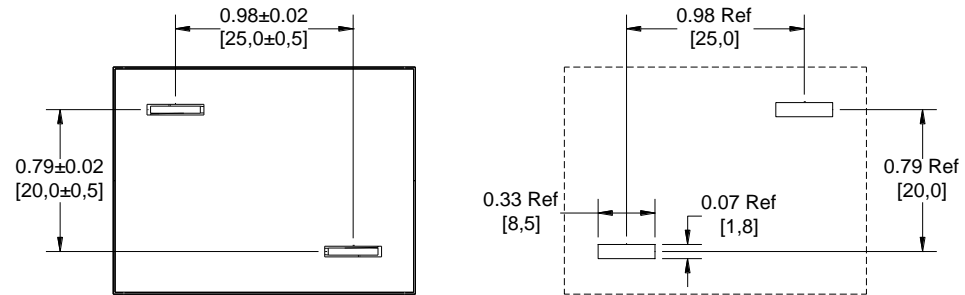
**DIMENSIONS**



**SCHEMATIC**



**Recommended PCB Layout**




**MARKING**

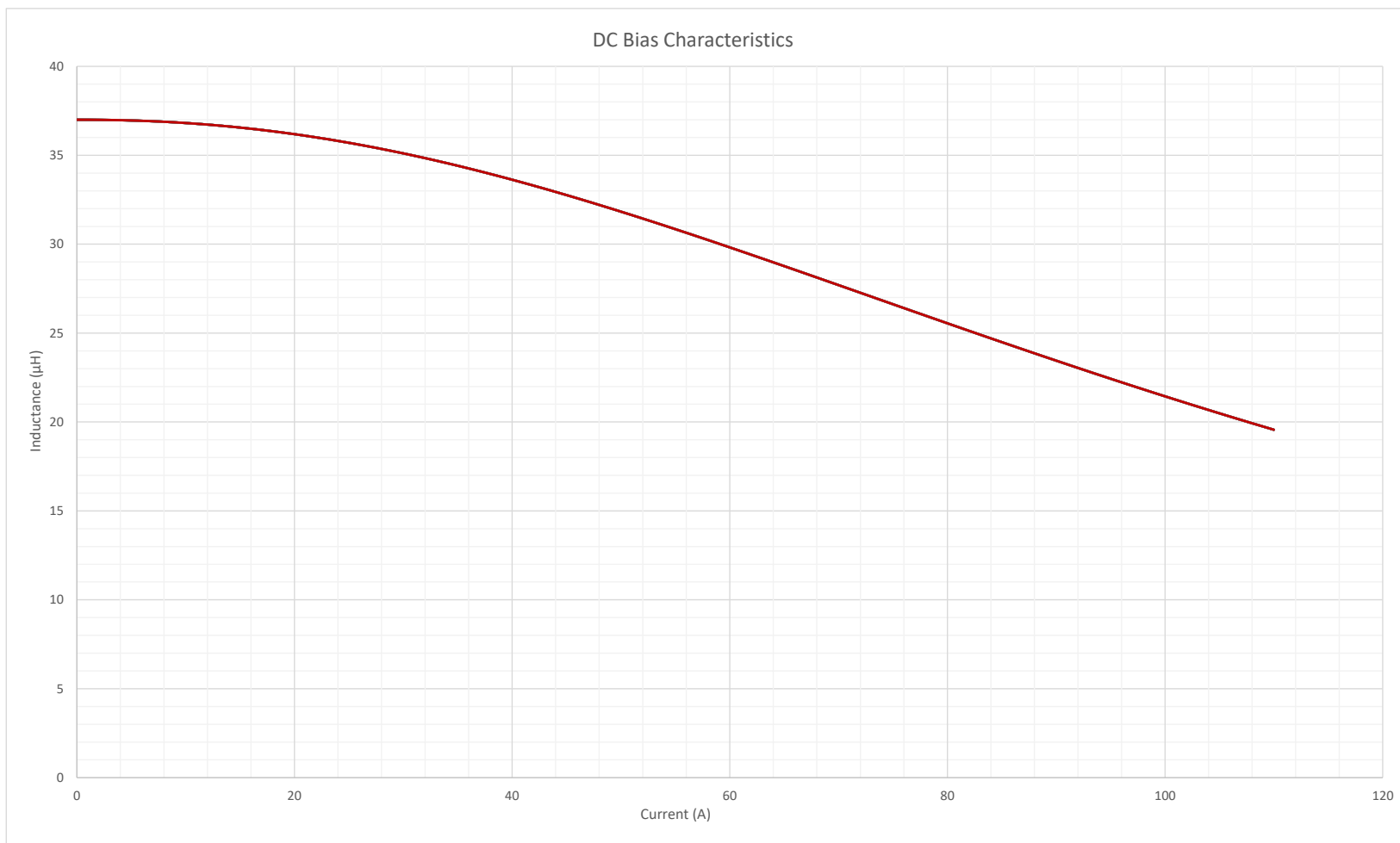
MPS  
 HWIA4434-040A-370V\_REV#  
 Date Code

Dimensions: inch/mm

<b>Notice of Proprietary Property</b> These drawings and specifications are the property of MPS and shall not be reproduced, copied or used as the basis of manufacture of sale of apparatus without express written authorization			
<b>Dimensions</b> Unless otherwise specified .XX ± .010" [0,254mm] .XXX ± .005 [0,13mm]	DRAWN BY: CHECKED BY:	AG AY	13-Jul-20 13-Jul-20

 <b>MPS INDUSTRIES, INC.</b> www.mpsind.com Tel: (310) 325-1043 Fax: (310) 325-1044	
Description <b>HEW Inductor</b>	
Part Number <b>HWIA4434-040A-370V</b>	REV <b>A</b>
WEIGHT: XX gms	SHEET: 1 OF 2

Rev	Description	By	Date
A	Released for production	AG	13-Jul-20



**Notice of Proprietary Property**  
 These drawings and specifications are the property of MPS and shall not be, reproduced, copied or used as the basis of manufacture or sale of apparatus without express written authorization



**MPS INDUSTRIES, INC.**  
 www.mpsind.com  
 Tel: (310) 325-1043 Fax: (310) 325-1044

Description		<b>HEW Inductor</b>	
Part Number	<b>HWIA4434-040A-370V</b>		REV
	<b>A</b>		<b>A</b>
WEIGHT: XX gms		SHEET: 2 OF 2	

<b>Dimensions</b> Unless otherwise specified .XX ± .010" [0,254mm] .XXX ± .005 [0,13mm]	DRAWN BY: CHECKED BY:	AG AY	13-Jul-20 13-Jul-20
--	--------------------------	----------	------------------------