

UNSHIELDED RADIAL POWER INDUCTORS



P11R20605 SERIES



- Low cost, high current
- Inductance range from 22 - 1,000 μ H
- Open construction
- Inductance tolerance: K = \pm 10% (add suffix letter for tolerance after the part number)
- Operating temperature range: -40oC to +85oC
- RoHS compliant product

ELECTRICAL PARAMETERS @ 25°C

Part Number	Inductance (μ H) (\pm 10%)	DCR (Ω MAX)	Rated Idc (A)
P11R20605-			
220	22	0.18	0.90
270	27	0.21	0.81
330	33	0.27	0.74
390	39	0.29	0.68
470	47	0.31	0.62
560	56	0.42	0.57
680	68	0.48	0.51
820	82	0.55	0.47
101	100	0.68	0.42
121	120	0.77	0.39
151	150	0.95	0.35
181	180	1.15	0.32
221	220	1.30	0.29
271	270	1.55	0.26
331	330	2.18	0.23
391	390	2.47	0.21
471	470	2.92	0.20
561	560	3.97	0.18
681	680	4.57	0.16
821	820	5.28	0.15
102	1000	7.06	0.13

Note:

1. Inductance measured: 1KHz, 0.3Vrms
2. Irated: Max 10% inductance drop and/or Δ T=40°C Temp Rise

Product performance is limited to specified parameters. Data is subject to change without prior notice.

Tel: 310-325-1043
Fax: 310-325-1044

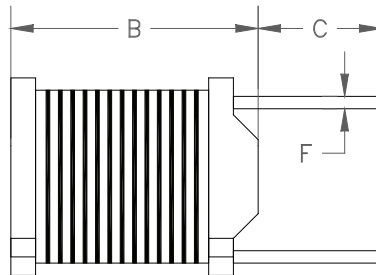
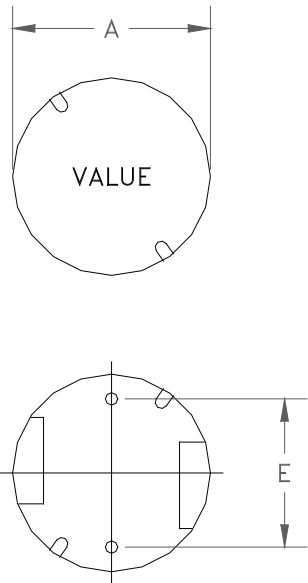
www.mpsind.com
sales@mpsind.com

UNSHIELDED RADIAL POWER INDUCTORS



P11R20605 SERIES

DIMENSIONS (mm)



A = 6.5 max

B = 5.0 max

C = 20.0 ± 2.0

E = 4.0 ± 0.5

F = 0.5 ref

Product performance is limited to specified parameters. Data is subject to change without prior notice.

Dimensions
Unless otherwise specified, all tolerances are:
inch: .XX : ±0.015 .XXX : ±0.004
mm: X,X : ±0,38 X,XX : ±0,10

Tel: 310-325-1043
Fax: 310-325-1044

www.mpsind.com
sales@mpsind.com