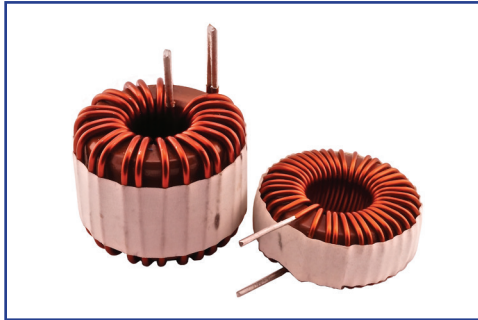


# HIGH CURRENT TOROID INDUCTORS

## HIGH TEMPERATURE, CLASS H



### P11T60 SERIES



- Ideal for use as Output Inductor or Differential Mode Choke
- High current handling capacity with low inductance roll-off
- High energy storage capability
- Toroidal design for excellent electromagnetic shielding
- Add -H or -V at end of part number for horizontal or vertical mount
- Operating Temperature: -40°C to +180°C
- RoHS Compliant Product
- Custom Design Available

### ELECTRICAL PARAMETERS @ 25°C

Part Number	Inductance <sup>1</sup> ( $\mu\text{H} \pm 15\%$ )	I <sub>rms</sub> <sup>2</sup> (A)	I <sub>dc</sub> <sup>3</sup> (A)	DCR (m $\Omega$ Max)	SRF (MHz Typ)	DIM A Max (inch)	DIM B Typ (inch)	DIM C Ref (inch)	Weight Max (g)
P11T62-37A-780	78	37	63	7.5	4.2	1.85	0.07x0.14	1.50	435
P11T62-33A-131	131	33	48	10.0	3.3	1.85	0.10	1.50	470
P11T62-27A-181	183	27	42	14.0	2.9	1.85	0.09	1.50	455
P11T62-22A-241	243	22	36	20.0	2.5	1.85	0.08	1.50	445
P11T62-18A-311	312	18	32	28.5	2.1	1.85	0.07	1.50	430
P11T62-16A-391	390	16	28	40.0	2.0	1.85	0.06	1.50	420
P11T60-63A-390	39	63	90	4.0	5.8	1.85	0.10x0.20	1.50	455
P11T60-63A-190	19	63	90	2.0	9.5	1.10	0.10x0.20	0.75	255
P11T60-53A-230	23	53	83	2.5	8.5	1.10	0.09x0.18	0.75	245
P11T60-44A-300	30	44	72	3.5	7.2	1.10	0.08x0.16	0.75	235
P11T60-37A-390	39	37	63	4.5	6.2	1.10	0.07x0.14	0.75	230
P11T60-33A-650	65	33	48	6.5	5.2	1.10	0.10	0.75	245
P11T60-31A-490	49	31	57	6.5	6.0	1.10	0.06x0.12	0.75	225
P11T60-27A-910	91	27	42	9.0	4.4	1.10	0.09	0.75	245
P11T60-16A-191	195	16	28	34.5	2.9	1.10	0.06	0.75	220

NOTES:

1. Inductance measured @ 10KHz, 1Vrms
2. I<sub>rms</sub> is the rated current at which the temperature rise is  $\Delta T \leq 40^\circ\text{C}$ .
3. I<sub>dc</sub> is the current that causes the inductance to drop  $\Delta L \leq 30\%$  from it's initial value.

Revised 08/14/2018  
Product performance is limited to specified parameters. Data is subject to change without prior notice.

Tel: 310-325-1043  
Fax: 310-325-1044

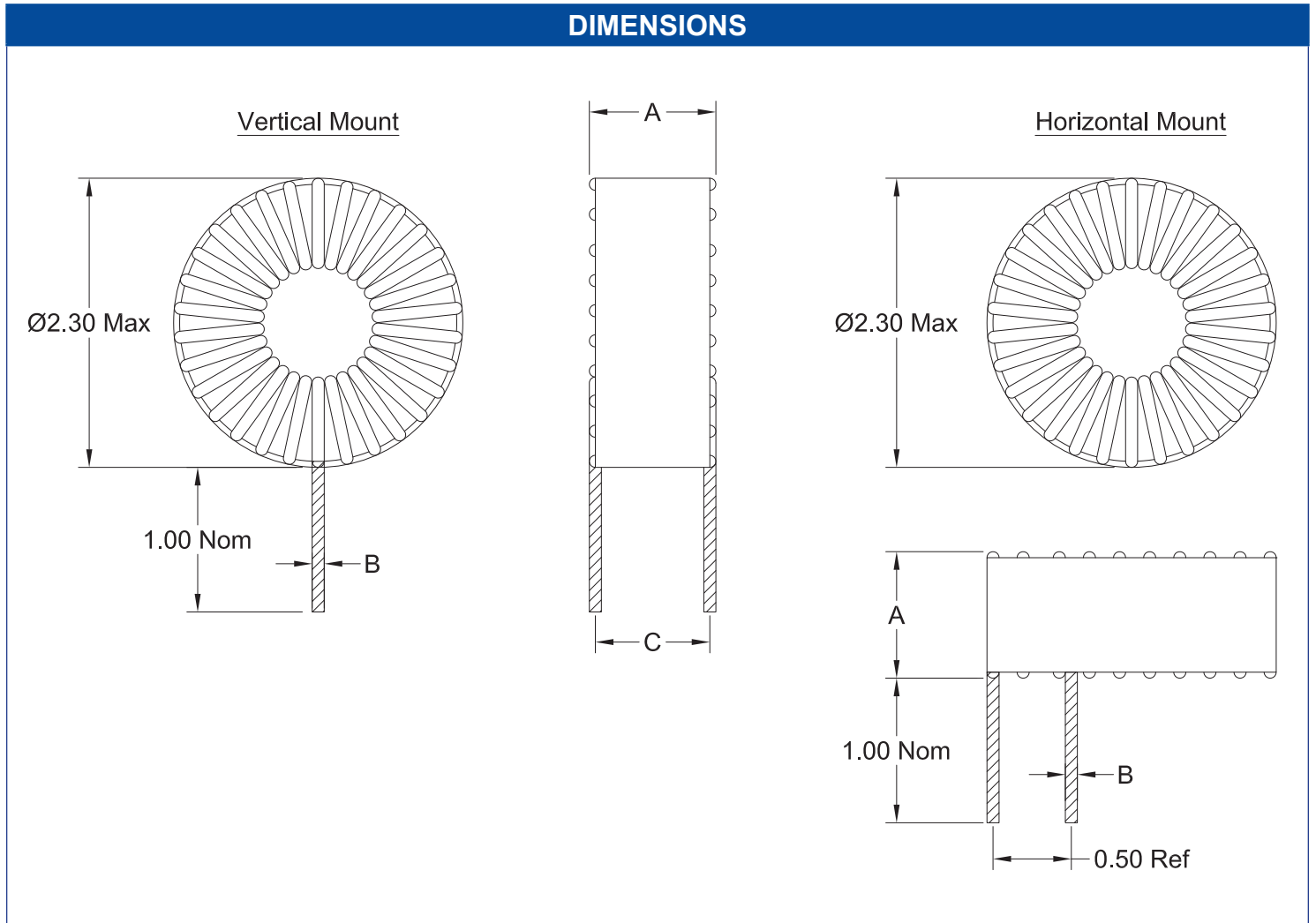
www.mpsind.com  
sales@mpsind.com

# HIGH CURRENT TOROID INDUCTORS HIGH TEMPERATURE, CLASS H



P11T60 SERIES

## DIMENSIONS



Revised 08/14/2018  
Product performance is limited to specified parameters. Data is subject to change without prior notice.

Tel: 310-325-1043  
Fax: 310-325-1044

www.mpsind.com  
sales@mpsind.com