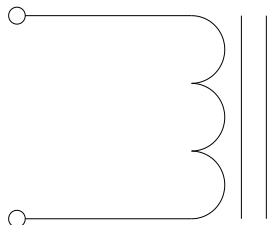


Rev	Description	By	Date
A	Released for production	KA	4-Sep-18

ELECTRICAL SPECIFICATIONS @ 25°C

L: 390μH±15% @ 10kHz, 1Vrms
 ΔL≤30% @ 28Adc
 DCR: 40mΩ Max
 Irms: ΔT≤40°C @ 16Adc
 SRF: 2MHz Typ
 Operating Temp: -40°C to 180°C
 Insulation Class: Class K 200°C Min
 RoHS Compliant: Yes

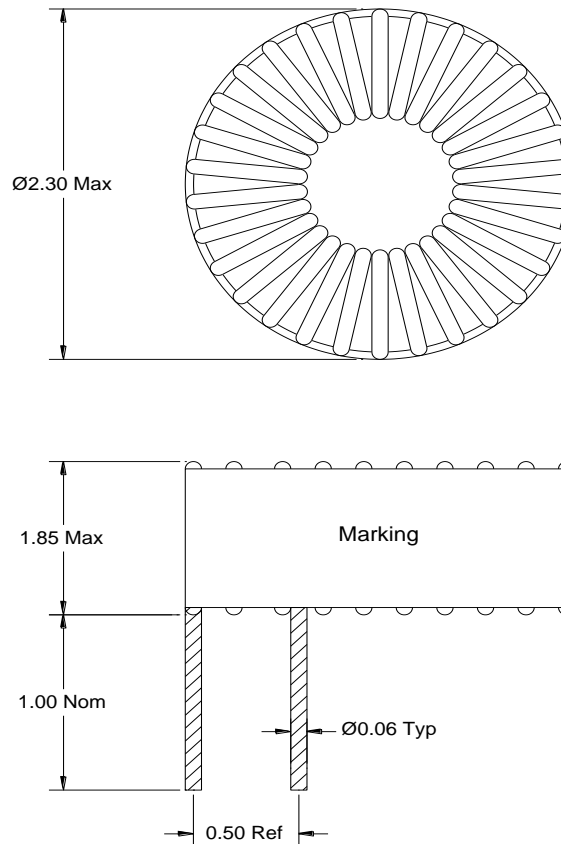
SCHEMATIC



MARKING

MPS
 P11T62-16A-391H
 Date Code

DIMENSIONS



Dimensions: inch

Notice of Proprietary Property

These drawings and specifications are the property of MPS and shall not be, reproduced, copied or used as the basis of manufacture of sale of apparatus without express written authorization



MPS INDUSTRIES, INC.

www.mpsind.com

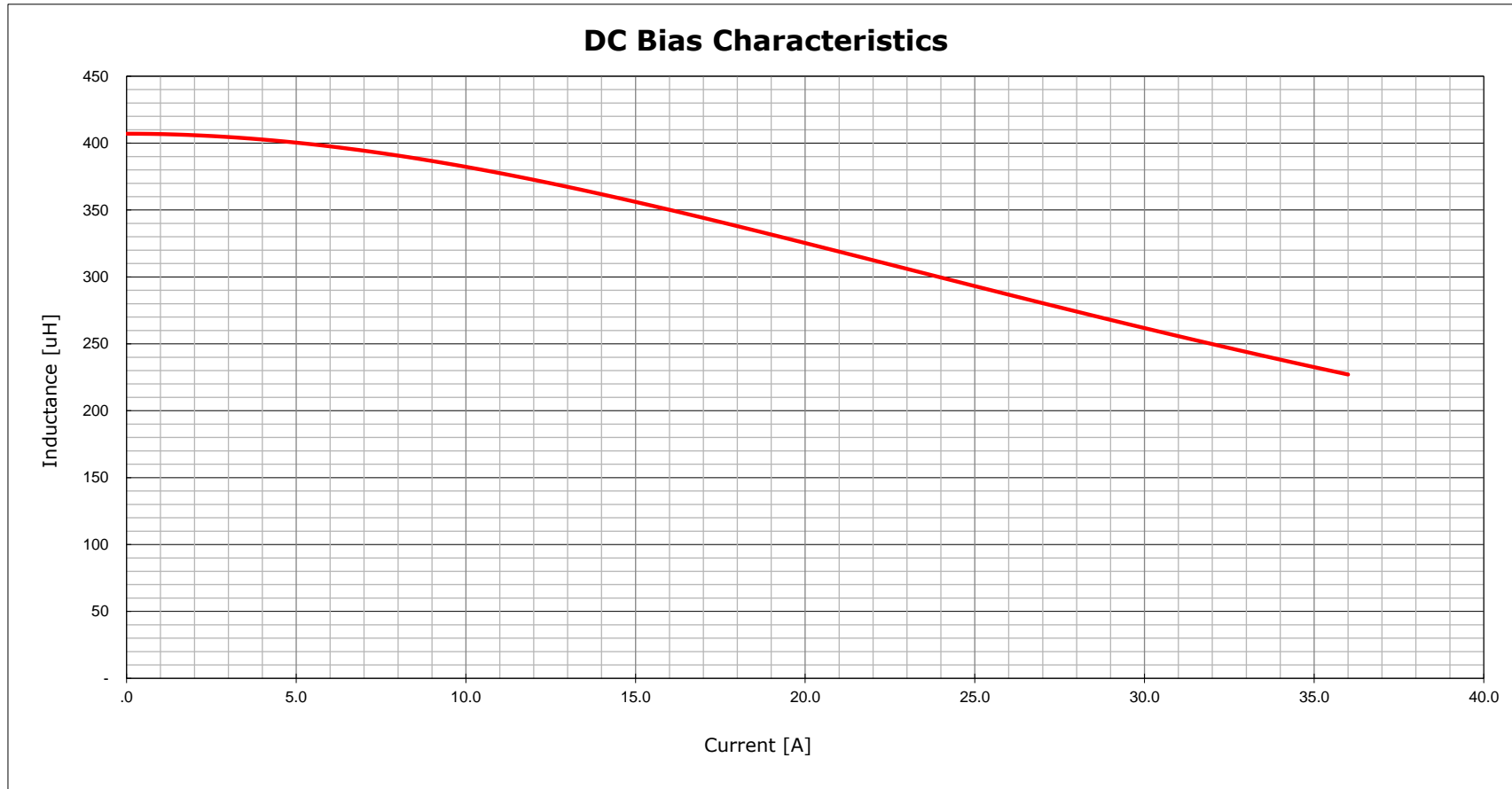
Tel: (310) 325-1043 Fax: (310) 325-1044

Description

Power Inductor

Dimensions	DRAWN BY:	KA	4-Sep-18	SIZE	Part Number	REV
Unless otherwise specified .XX ± .010" .XXX ± .005"	CHECKED BY:	AG	4-Sep-18	A	P11T62-16A-391H	A
					WEIGHT: 380 gms	SHEET: 1 OF 2

Rev	Description	By	Date
A	Released for production	KA	4-Sep-18



Notice of Proprietary Property

These drawings and specifications are the property of MPS and shall not be reproduced, copied or used as the basis of manufacture or sale of apparatus without express written authorization

Dimensions Unless otherwise specified .XX ± .010" .XXX ± .005"	DRAWN BY:	KA	4-Sep-18	SIZE	Part Number	P11T62-16A-391H	REV
	CHECKED BY:	AG	4-Sep-18	A			A
				SCALE: X:X	WEIGHT: 380 gms	SHEET: 2 OF 2	



MPS INDUSTRIES, INC.

www.mpsind.com

Tel: (310) 325-1043 Fax: (310) 325-1044

Description

Power Inductor