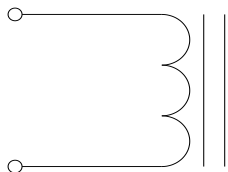


Rev	Description	By	Date
A	Released for production	KA	4-Sep-18

ELECTRICAL SPECIFICATIONS @ 25°C

L: 183μH±15% @ 10kHz, 1Vrms
 ΔL≤30% @ 42Adc
 DCR: 14mΩ Max
 Irms: ΔT≤40°C @ 27Adc
 SRF: 2.9MHz Typ
 Operating Temp: -40°C to 180°C
 Insulation Class: Class K 200°C Min
 RoHS Compliant: Yes

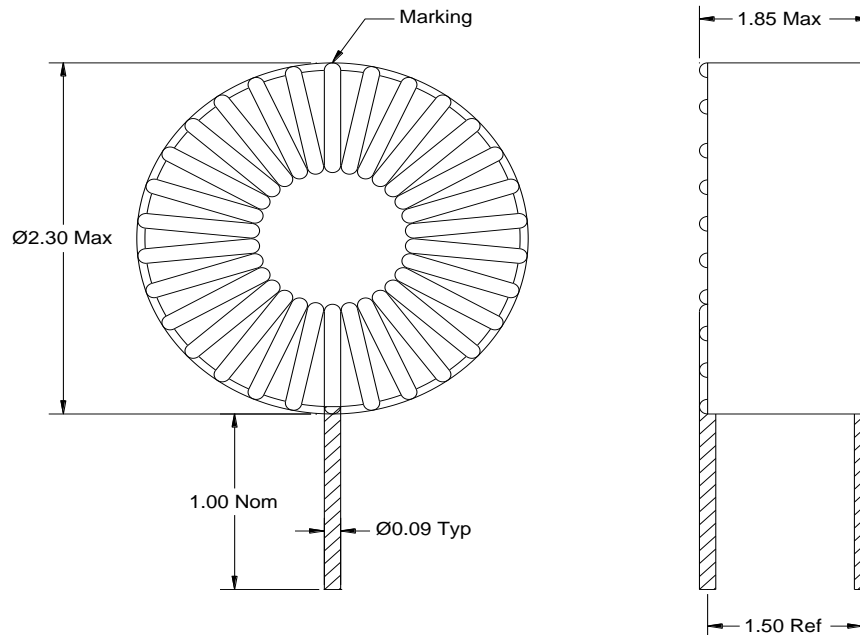
SCHEMATIC



MARKING

MPS
 P11T62-27A-181V
 Date Code

DIMENSIONS



Dimensions: inch

Notice of Proprietary Property

These drawings and specifications are the property of MPS and shall not be, reproduced, copied or used as the basis of manufacture of sale of apparatus without express written authorization



MPS INDUSTRIES, INC.

www.mpsind.com

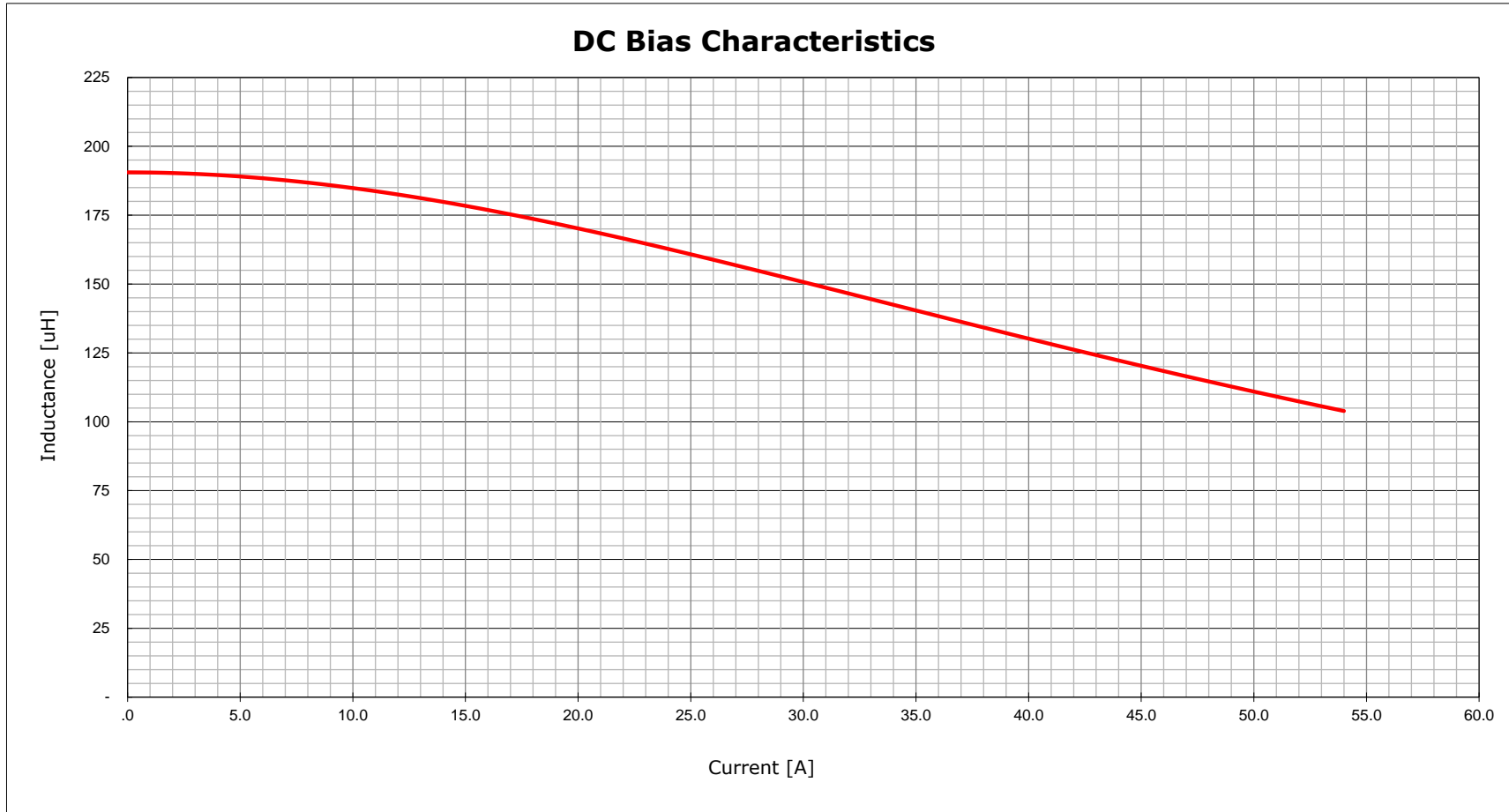
Tel: (310) 325-1043 Fax: (310) 325-1044

Description

Power Inductor

Dimensions Unless otherwise specified .XX ± .010" .XXX ± .005"	DRAWN BY:	KA	4-Sep-18	SIZE	Part Number	REV
	CHECKED BY:	AG	4-Sep-18	A	P11T62-27A-181V	A
					WEIGHT: XX gms	SHEET: 1 OF 2

Rev	Description	By	Date
A	Released for production	KA	4-Sep-18



Notice of Proprietary Property

These drawings and specifications are the property of MPS and shall not be reproduced, copied or used as the basis of manufacture or sale of apparatus without express written authorization

Dimensions
Unless otherwise specified
.XX ± .010"
.XXX ± .005"

DRAWN BY: KA
CHECKED BY: AG

4-Sep-18
4-Sep-18

SIZE
A

Part Number


P11T62-27A-181V

SCALE: X:X

WEIGHT: XX gms

SHEET: 2 OF 2

REV
A



MPS INDUSTRIES, INC.
www.mpsind.com
Tel: (310) 325-1043 Fax: (310) 325-1044

Description
Power Inductor