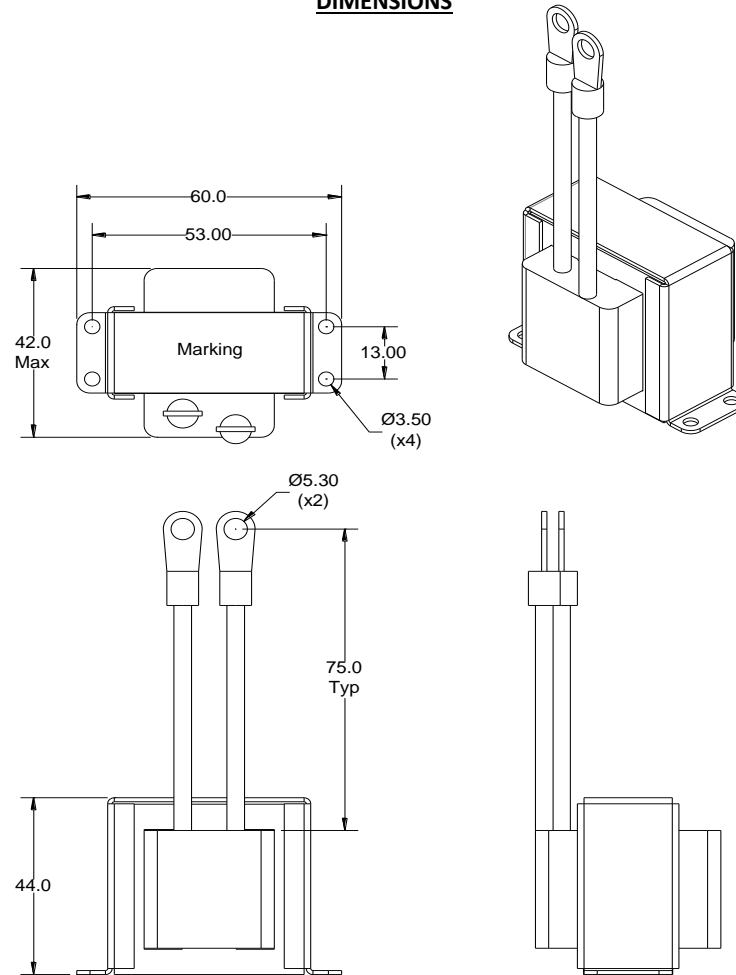


Rev	Description	By	Date
A	Released for production	AG	19-Oct-21

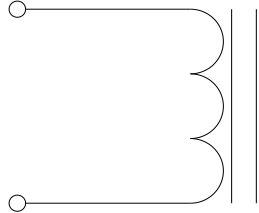
**ELECTRICAL SPECIFICATIONS @ 25°C**

L: 10μH±10% @ 100kHz, 1Vrms  
 ΔL≤10% @ 45Adc  
 DCR: 2.5mΩ Max  
 Hipot: 2kVac, 1mA Max, 5s (wdg to bracket)  
 RoHS Compliant: Yes

**DIMENSIONS**



**SCHEMATIC**




**MARKING**

MPS  
 P1642B-100\_Rev#  
 Date Code

Dimensions: mm

<b>Notice of Proprietary Property</b> These drawings and specifications are the property of MPS and shall not be, reproduced, copied or used as the basis of manufacture of sale of apparatus without express written authorization				
<b>Dimensions</b> Unless otherwise specified .X ± .5mm .XX ± .25mm	DRAWN BY: CHECKED BY:	AG AY	19-Oct-21 19-Oct-21	SIZE <b>A</b>

		<b>MPS INDUSTRIES, INC.</b> www.mpsind.com Tel: (310) 325-1043 Fax: (310) 325-1044	
Description <b>Resonant Inductor</b>			
Part Number <b>P1642B-100</b>		REV <b>A</b>	
WEIGHT: XX gms		SHEET: 1 OF 1	