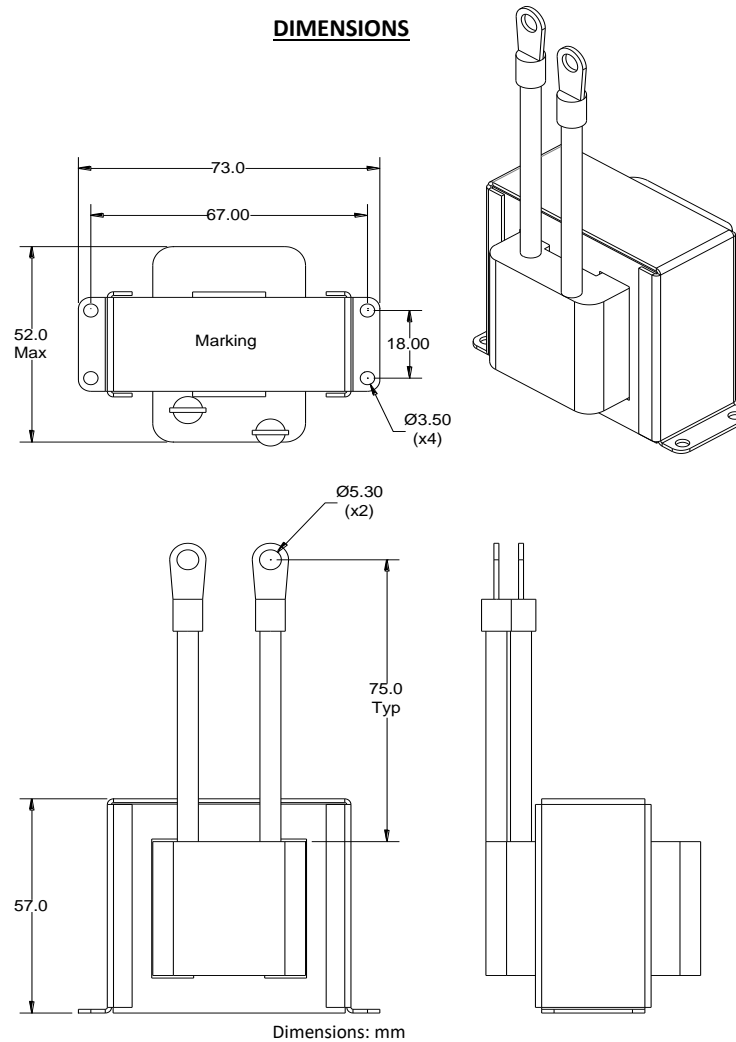


| Rev | Description | By | Date |
|-----|-------------------------|----|-----------|
| A | Released for production | AG | 19-Oct-21 |

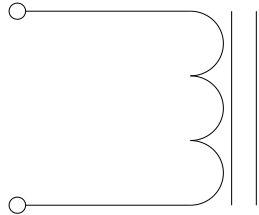
ELECTRICAL SPECIFICATIONS @ 25°C

L: 10μH±10% @ 100kHz, 1Vrms
ΔL≤10% @ 80Adc
DCR: 2.0mΩ Max
Hipot: 2kVac, 1mA Max, 5s (wdg to bracket)
RoHS Compliant: Yes

DIMENSIONS




SCHEMATIC



MARKING

MPS
P1655B-100_Rev#
Date Code

| | | | |
|--|--------------------------------------|--|---|
|  | | MPS INDUSTRIES, INC. www.mpsind.com Tel: (310) 325-1043 Fax: (310) 325-1044 | |
| | | Description Resonant Inductor | |
| Notice of Proprietary Property These drawings and specifications are the property of MPS and shall not be, reproduced, copied or used as the basis of manufacture of sale of apparatus without express written authorization | | Part Number P1655B-100 | REV A |
| Dimensions Unless otherwise specified .X ± .5mm .XX ± .25mm | DRAWN BY: AG CHECKED BY: AY | 19-Oct-21 19-Oct-21 | A WEIGHT: XX gms SHEET: 1 OF 1 |