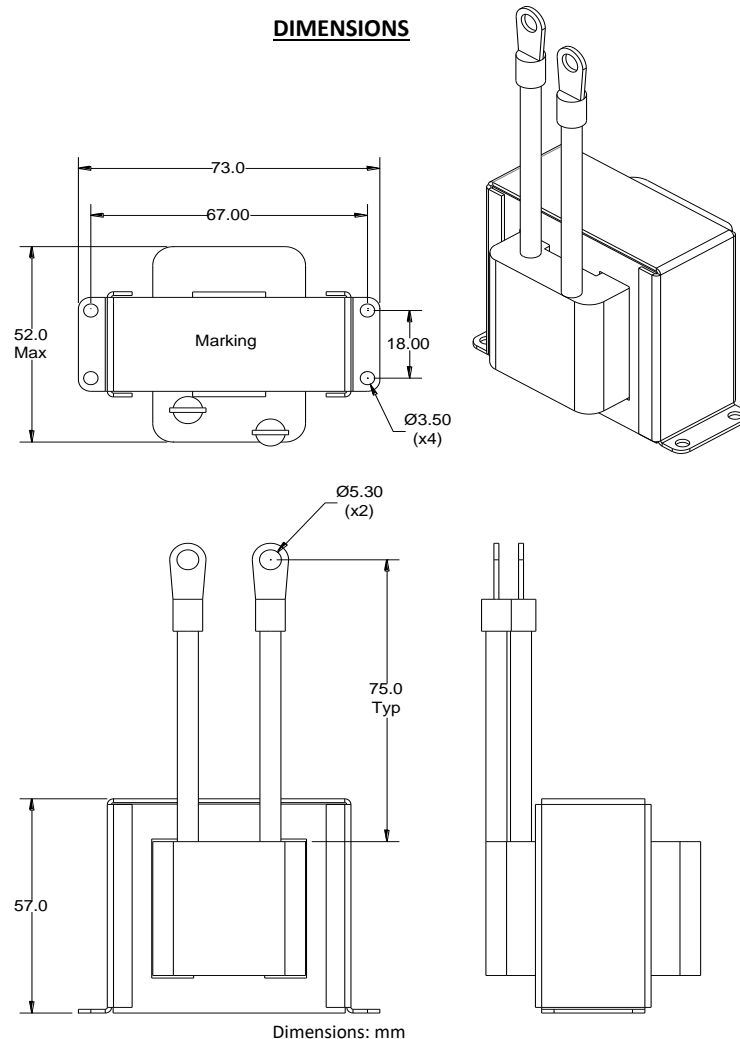


Rev	Description	By	Date
A	Released for production	AG	19-Oct-21

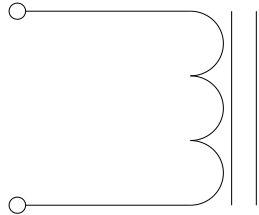
ELECTRICAL SPECIFICATIONS @ 25°C

L: 15μH±10% @ 100kHz, 1Vrms
ΔL≤10% @ 55Adc
DCR: 2.0mΩ Max
Hipot: 2kVac, 1mA Max, 5s (wdg to bracket)
RoHS Compliant: Yes

DIMENSIONS




SCHEMATIC



MARKING

MPS
P1655B-150_Rev#
Date Code

 MPS INDUSTRIES, INC. www.mpsind.com Tel: (310) 325-1043 Fax: (310) 325-1044		Description	
		Resonant Inductor	
Notice of Proprietary Property These drawings and specifications are the property of MPS and shall not be, reproduced, copied or used as the basis of manufacture of sale of apparatus without express written authorization		Part Number	REV
Dimensions Unless otherwise specified .X ± .5mm .XX ± .25mm		P1655B-150 WEIGHT: XX gms	A
DRAWN BY:	AG	19-Oct-21	SHEET: 1 OF 1
CHECKED BY:	AY	19-Oct-21	
SIZE		A	