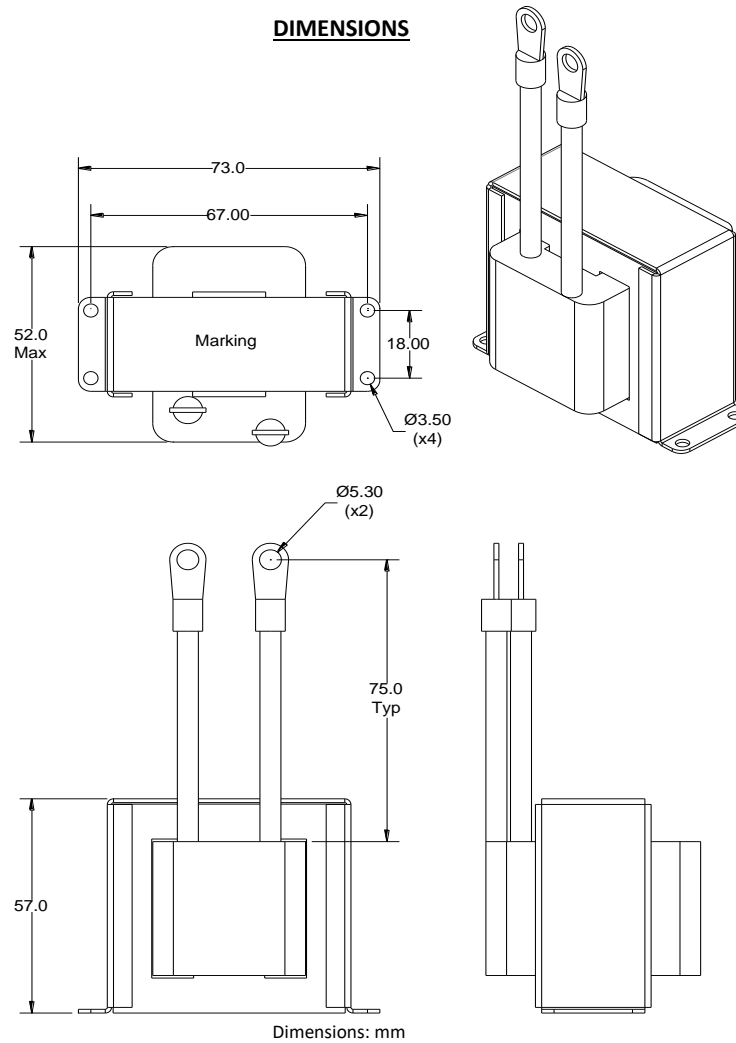


Rev	Description	By	Date
A	Released for production	AG	19-Oct-21

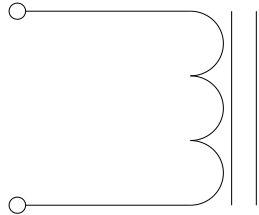
**ELECTRICAL SPECIFICATIONS @ 25°C**

L: 20μH±10% @ 100kHz, 1Vrms  
ΔL≤10% @ 40Adc  
DCR: 2.0mΩ Max  
Hipot: 2kVac, 1mA Max, 5s (wdg to bracket)  
RoHS Compliant: Yes

**DIMENSIONS**




**SCHEMATIC**



**MARKING**

MPS  
P1655B-200\_Rev#  
Date Code

		<b>MPS INDUSTRIES, INC.</b> www.mpsind.com Tel: (310) 325-1043 Fax: (310) 325-1044	
		Description <b>Resonant Inductor</b>	
<b>Notice of Proprietary Property</b> These drawings and specifications are the property of MPS and shall not be, reproduced, copied or used as the basis of manufacture of sale of apparatus without express written authorization		Part Number <b>P1655B-200</b>	REV <b>A</b>
<b>Dimensions</b> Unless otherwise specified .X ± .5mm .XX ± .25mm	DRAWN BY: AG CHECKED BY: AY	19-Oct-21 19-Oct-21	<b>A</b> WEIGHT: XX gms SHEET: 1 OF 1