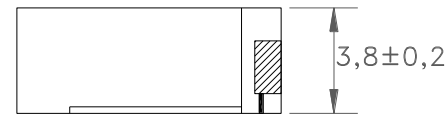
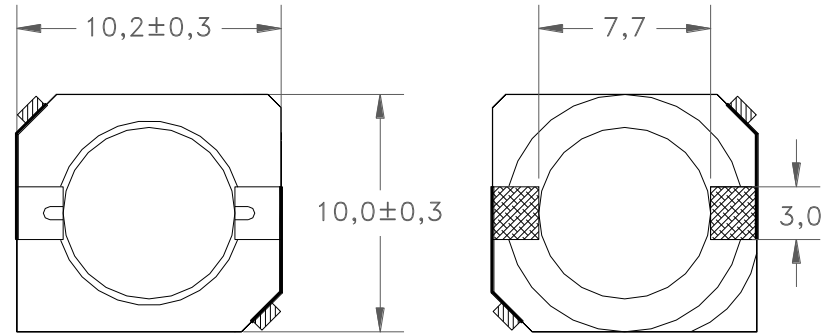


Rev	Description	By	Date
A	Release	TC	5-Dec-23

**ELECTRICAL SPECIFICATIONS @ 25°C**

Part No	L ±20% (μH)	DCR Max (Ω)	Rated I <sub>DC</sub> (A)
P171004-			
1R5M	1.5	0.008	10.00
2R5M	2.5	0.010	7.50
3R8M	3.8	0.013	6.00
5R2M	5.2	0.022	5.50
7R0M	7	0.027	4.80
100M	10	0.035	4.40
150M	15	0.050	3.60
180M	18	0.065	3.50
220M	22	0.073	2.90
270M	27	0.083	2.80
330M	33	0.093	2.30
470M	47	0.128	2.10
680M	68	0.213	1.50
101M	100	0.304	1.35
151M	150	0.506	1.15
221M	220	0.756	0.92
331M	330	1.090	0.70

**DIMENSIONS (MM)**

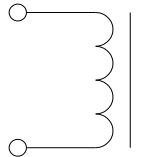


BOTTOM  
VIEW

**NOTE**

- Inductance measured : 100KHz, 0.25V<sub>RMS</sub>
- I<sub>RATED</sub>: 30% drop typ from initial inductance value and/or ΔT=40°C Temp Rise typical
- Operating Temperature: -40°C to +125°C
- Storage Temperature: -25°C to +85°C
- Package: Tape and Reel
- RoHS Compliance Product
- Solder Reflow Peak Temp: 260°C max (2 times) and above 230°C/50S, 200°C/70S max

**SCHEMATIC**



**MARKING**

VALUE

**Notice of Proprietary Property**

These drawings and specifications are the property of MPS and shall not be, reproduced, copied or used as the basis of manufacture of sale of apparatus without express written authorization



MPS INDUSTRIES, INC.

www.mpsind.com

Tel: (310) 325-1043 Fax: (310) 325-1044

Description

**SMD INDUCTOR**

Dimensions	DRAWN BY:	TC	5-Dec-23	SIZE	Part Number	REV
Unless otherwise specified .XX ± .010" [0,254mm] .XXX ± .005 [0,13mm]	CHECKED BY:	TC	5-Dec-23	<b>A</b>	<b>P171004-XXX</b>	<b>A</b>

WEIGHT: XX gms

SHEET: 1 OF 1