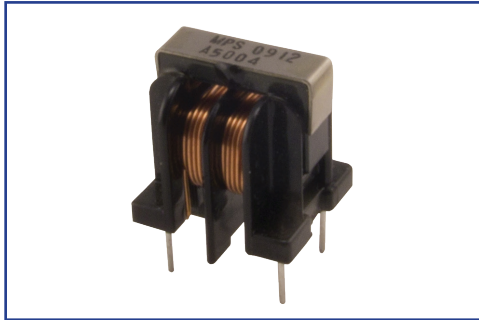


COMMON MODE CHOKE



P52U105 SERIES



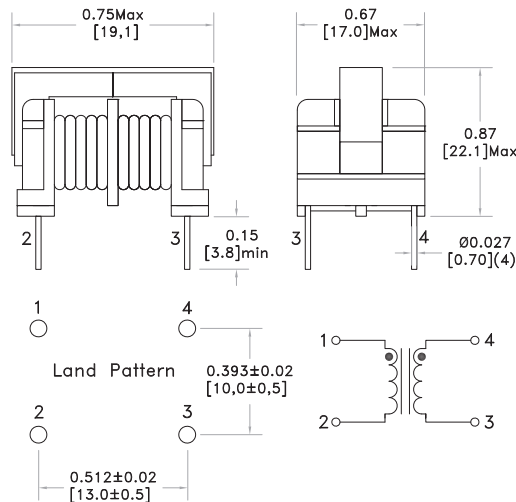
- AC line filter common mode choke
- Dielectric withstanding voltage: 3750 Vrms (between windings)
- Operating temperature range: -40°C to +85°C
- Custom design available upon request
- RoHS compliant product

ELECTRICAL PARAMETERS @ 25°C

Part Number	Inductance (mH Min)	Rated Irms (A)	DCR (Ω MAX)
P52U105-			
601-2.8	0.6	2.80	0.05
102-2.4	1.0	2.40	0.05
202-1.8	2.0	1.80	0.11
502-1.1	5.0	1.10	0.28
802-0.9	8.0	0.90	0.44
103-0.8	10	0.80	0.50
203-0.6	20	0.60	1.11
303-0.5	30	0.50	1.73
453-0.4	45	0.40	2.68

- Note:
1. Inductance measured: 1KHz, 0.1Vrms
 2. Polarity: 1 and 4 are in phase
 3. Turns Ratio: 1:1 (1-2 to 4-3)
 4. ΔT of 35°C Temperature Rise at rated current

DIMENSIONS (mm)



Dimensions
 Unless otherwise specified, all tolerances are:
 inch: .XX : ±0.008 .XXX : ±0.004
 mm: X.X : ±0.20 X.XX : ±0.10

Revised 11/16/2018
 Product performance is limited to specified parameters. Data is subject to change without prior notice.

Tel: 310-325-1043
 Fax: 310-325-1044

www.mpsind.com
 sales@mpsind.com