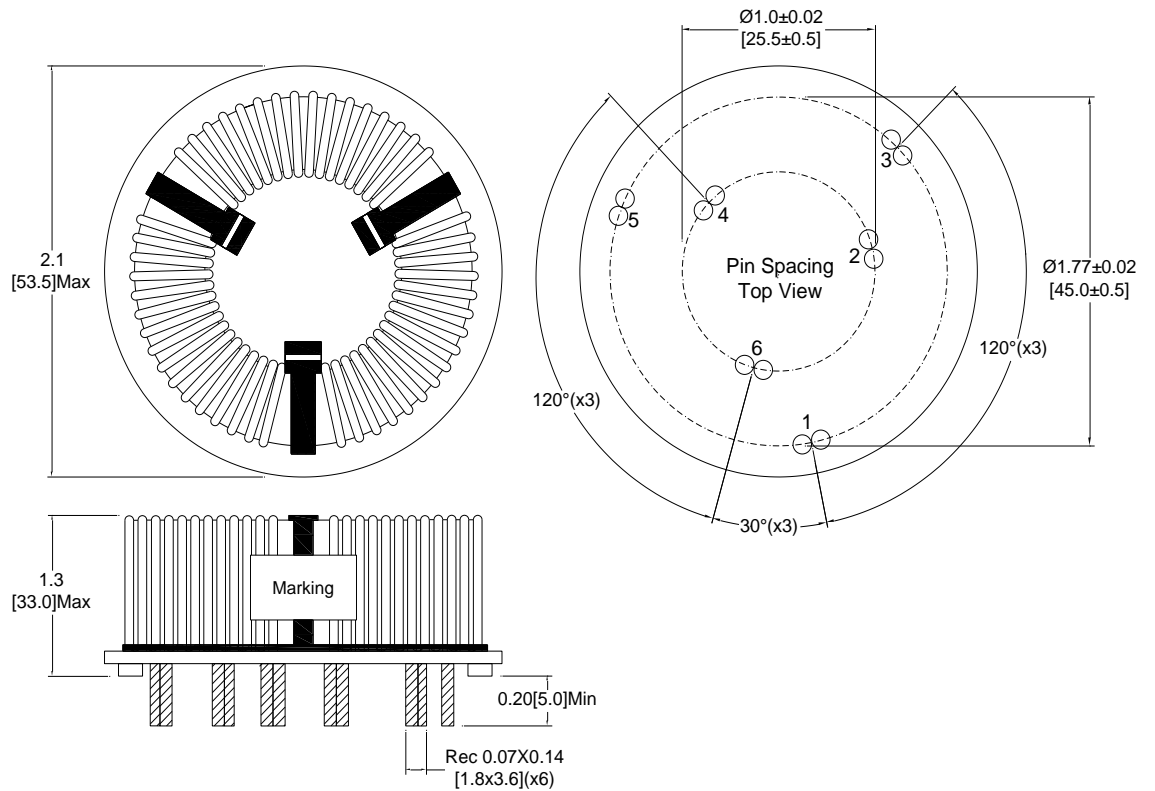


Rev	Description	By	Date
1	Preliminary	TM	22-Oct-20

ELECTRICAL SPECIFICATIONS @ 25°C

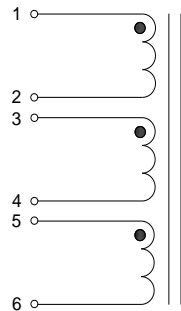
L(per wdg): 800uH Min @ 10kHz, 0.1Vrms
 DCR(per wdg): 1.5mΩ Max
 Irms: ΔT≤40°C @30A
 Turns Ratio: 1:1:1±0T
 (1-2):(3-4):(5-6)
 Polarity: 1, 3 and 5 are in phase
 Hipot: 2kVac, 1mA Max, 10s (wdg to wdg)
 Operating Temperature: -40 °C to +125 °C
 RoHS Compliant: Yes

DIMENSIONS



Dimensions: inch/[mm]

SCHEMATIC



MARKING

MPS
 P57TP40H-801_Rev
 Date Code

Notice of Proprietary Property

These drawings and specifications are the property of MPS and shall not be reproduced, copied or used as the basis of manufacture of sale of apparatus without express written authorization

Dimensions Unless otherwise specified .XX ± .010" [0,254mm] .XXX ± .005" [0,13mm]	DRAWN BY: CHECKED BY:	TM AG	22-Oct-20 27-Oct-20	SIZE A	Part Number	REV 1
					P57TP40H-801	
					WEIGHT: 90 gms	SHEET: 1 OF 1



MPS INDUSTRIES, INC.

www.mpsind.com

Tel: (310) 325-1043 Fax: (310) 325-1044

Description

3-Phase CMC