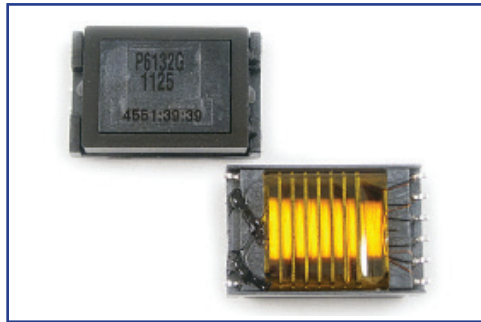


PUSH-PULL CCFL TRANSFORMERS



P9101 SERIES



- CCFL transformers with output power up to 6 watts
- Designed for 40KHz - 100KHz LCD backlight applications
- Operating Temperature -40°C to +85°C
- RoHS Compliant Product
- Custom Design Available

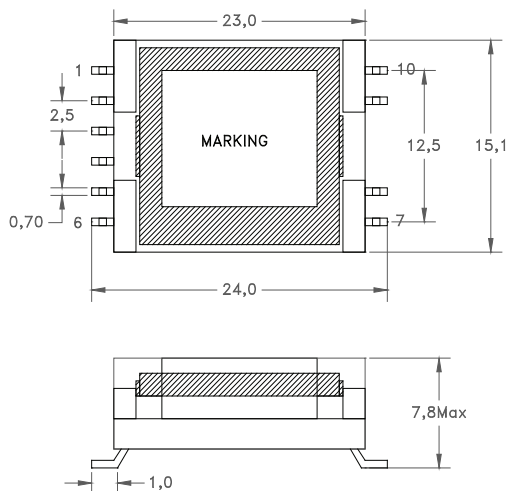
ELECTRICAL PARAMETERS @ 25°C

Part Number	Pri OCL (μH) Nom	DCR (Ω MAX)	Primary Voltage (V)	Turns Ratio $\pm 5\%$		Isec (7-10) (mA Max)	DCR Sec (7-10) (Ω MAX)	DCR Fb (Ω MAX)
				Pri:Sec	Pri:Fb			
1	44	0.22	23	1:67	1:0.19	5	285	0.10
2	44	0.16	20	1:67	1:0.17	11	176	0.10
3	44	0.22	32	1:50	1:0.14	7	165	0.10
4	44	0.16	26	1:50	1:0.17	11	132	0.10
5	31	0.13	18	1:86	1:0.21	11	176	0.10
6	40	0.18	17	1:93	1:0.25	11	176	0.10
7	22	0.13	16	1:100	1:0.25	11	176	0.10
8	20	0.13	13	1:100	1:0.17	11	176	0.10
9	20	0.13	13	1:125	1:0.25	11	291	0.10

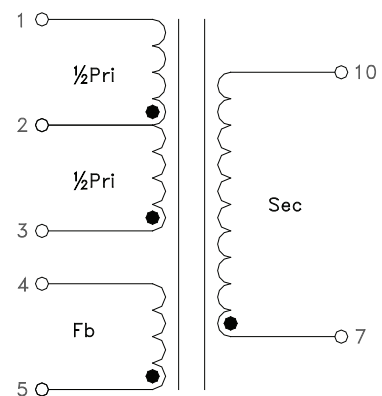
Note:

1. Inductance measured @ 100KHz 0.1Vrms for both halves Primary (Example: 1-3, 1-5)
2. Hipot: 1500Vrms, 5 seconds (Pri and Fb to Sec), except Schematic D, which is 500Vrms

DIMENSIONS



SCHEMATIC



Dimensions

Unless otherwise specified, all tolerances are:
 inch: XX : ± 0.015 .XXX : ± 0.004
 mm: X.X : ± 0.38 X,XX : ± 0.10

Product performance is limited to specified parameters. Data is subject to change without prior notice.

Tel: 310-325-1043
 Fax: 310-325-1044

www.mpsind.com
 sales@mpsind.com