

# MAGNETIC EPOXY SHIELDED SMT POWER INDUCTOR



## PSF8040 SERIES



- Magnetic shielding using magnetic epoxy resin results in lower costs as compared to traditional ferrite shielded inductors
- Size: 8.7mm length x 8.6mm width x 4.0mm height
- Operating Temperature -40°C to +120°C
- RoHS Compliant Product
- Custom Design Available

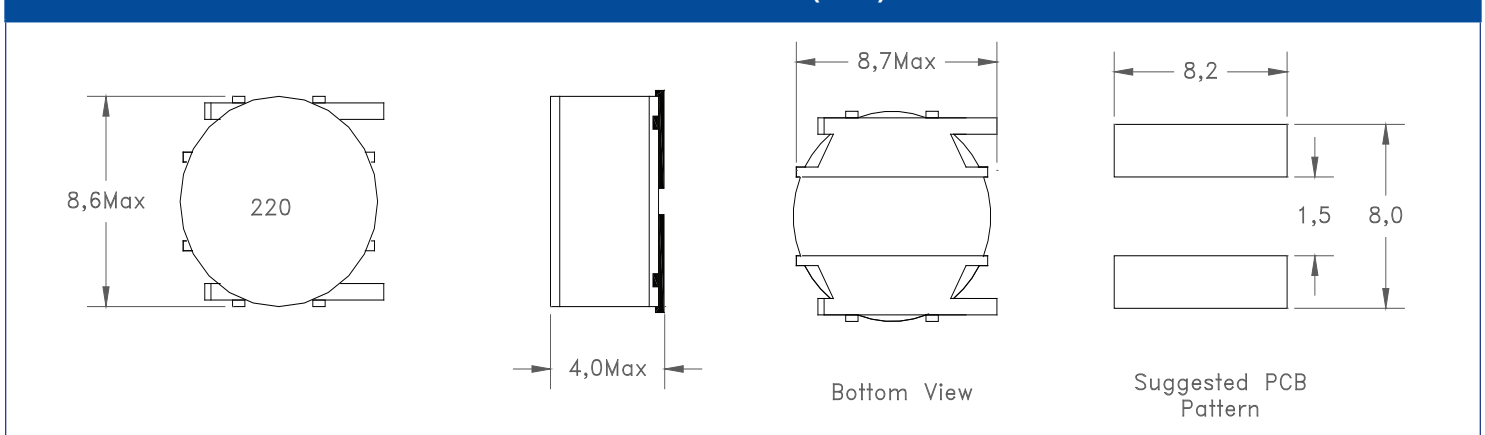
## ELECTRICAL PARAMETERS @ 25°C

Part Number	INDUCTANCE ( $\mu$ H) $\pm 20\%$	Isat (Adc) MAX	DCR ( $\Omega$ ) MAX
PSF8040-			
100M	10	3.20	0.038
150M	15	2.60	0.058
220M	22	2.20	0.075
330M	33	1.80	0.110
470M	47	1.50	0.160
680M	68	1.20	0.230
101M	100	1.00	0.330
151M	150	0.80	0.490
221M	220	0.60	0.730
331M	330	0.50	1.10
681M	680	0.30	2.20

**Note:**

1. Inductance measured at 100KHz, 1Vrms
2. Isat:  $\Delta$ L drops 30% max from its initial value

## DIMENSIONS (mm)



**Dimensions**

Unless otherwise specified, all tolerances are:

inch: .XX :  $\pm 0.015$  .XXX :  $\pm 0.004$

mm: X.X :  $\pm 0.38$  X,XX :  $\pm 0.10$

Product performance is limited to specified parameters. Data is subject to change without prior notice.

Tel: 310-325-1043  
Fax: 310-325-1044

www.mpsind.com  
sales@mpsind.com